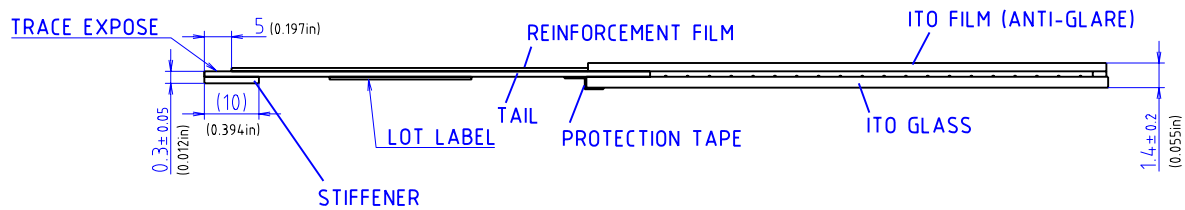
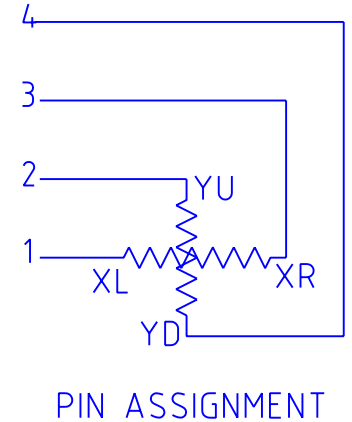
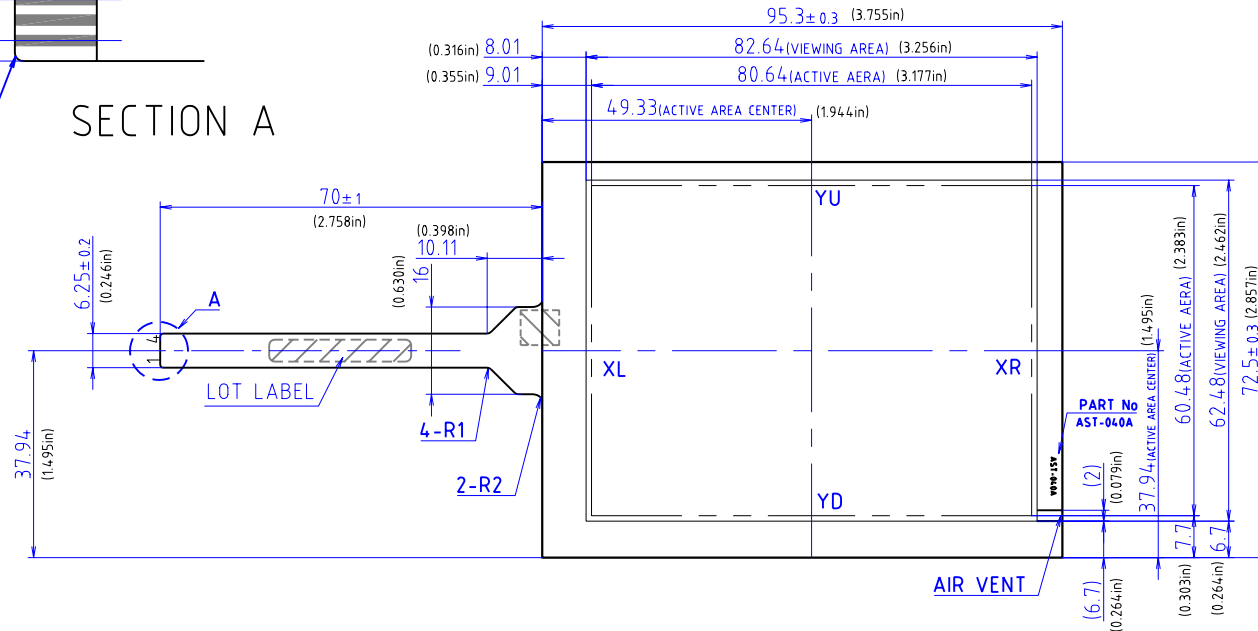


SECTION A



ULTRATRONIK
www.ultratronik-distribution.de

TOLERANCE = ± 0.5mm (0.02in)
EXCEPT WHERE INDICATED
UNIT = mm (inch)

PART No.	DATE
AST-040A070A	May 19, 2004
TYPE	
STANDARD TOUCHSCREEN DIMENSIONAL DRAWING	DMC Co., Ltd.