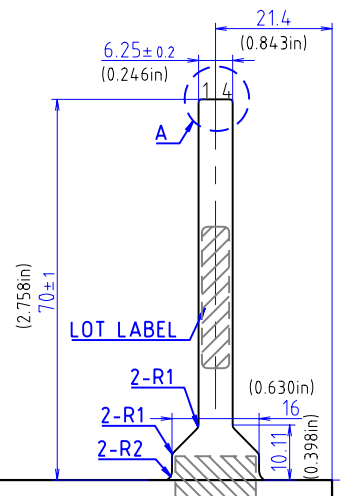
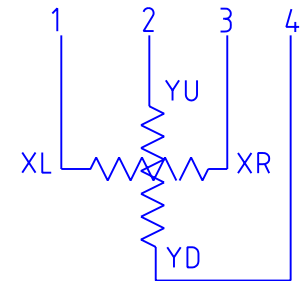
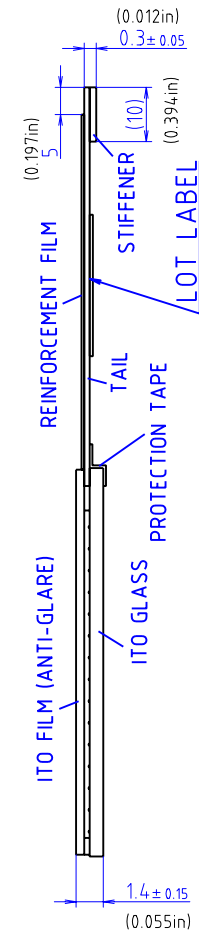
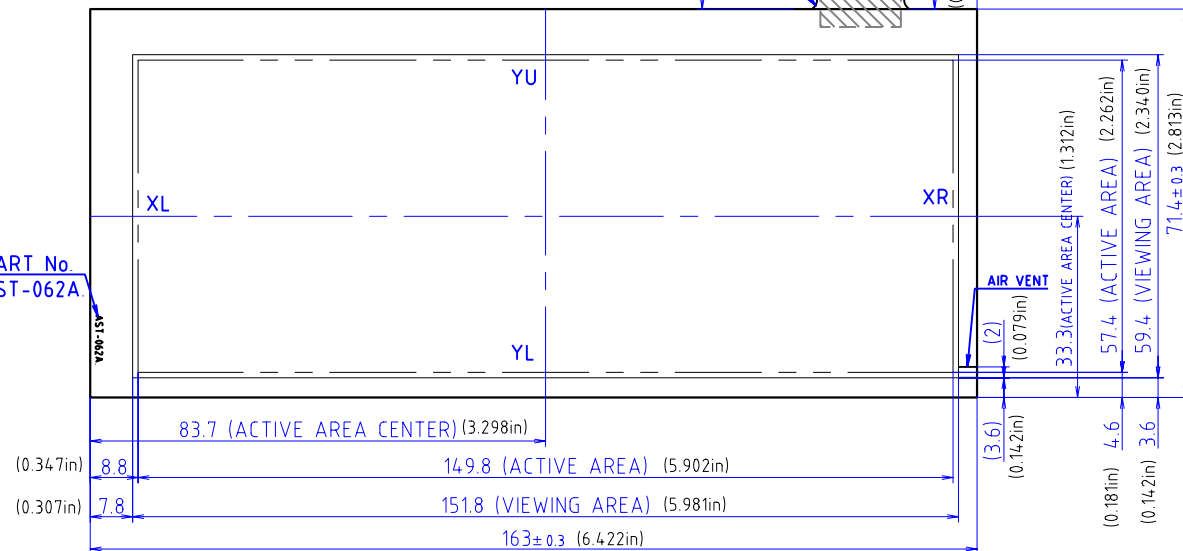


SECTION A



LOT LABEL

PART No
AST-062A



PIN ASSIGNMENT

ULTRATRONIK

www.ultratronik-distribution.de

TOLERANCE = ± 0.5mm (0.02in)
EXCEPT WHERE INDICATED

UNIT = mm (inch)

PART No	DATE
AST-062A070A	June 4, 2004
TYPE	
STANDARD TOUCHSCREEN DIMENSIONAL DRAWING	DMC Co., Ltd.