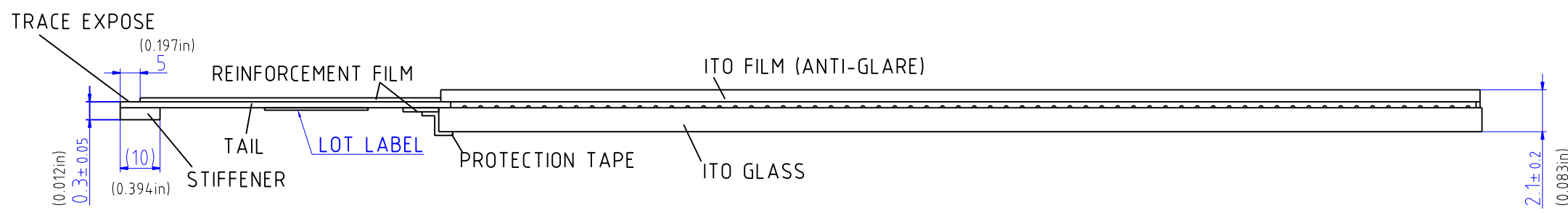
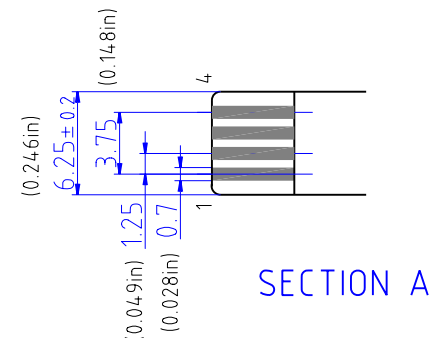
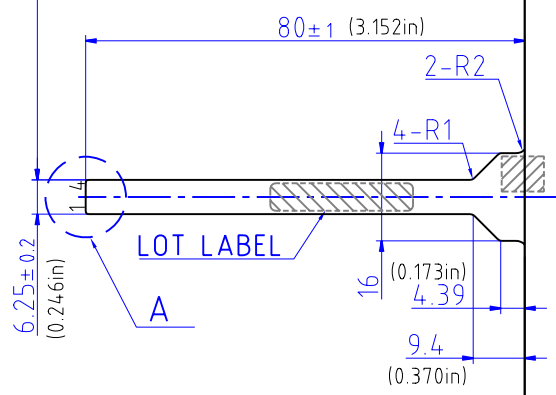


PIN ASSIGNMENT



ULTRATRONIK
www.ultratronik-distribution.de

TOLERANCE=± 0.5mm(0.02in)
EXCEPT WHERE INDICATED
UNIT=mm(inch)

PART No.	DATE
AST-121B080A	February 8, 2007
TYPE	DMC Co., Ltd.
STANDARD TOUCHSCREEN DIMENSIONAL DRAWING	