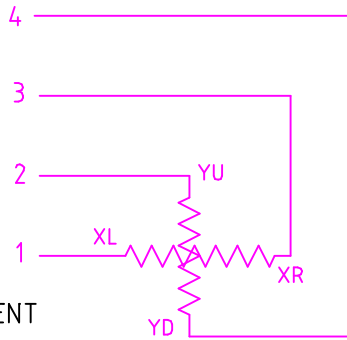


PIN ASSIGNMENT

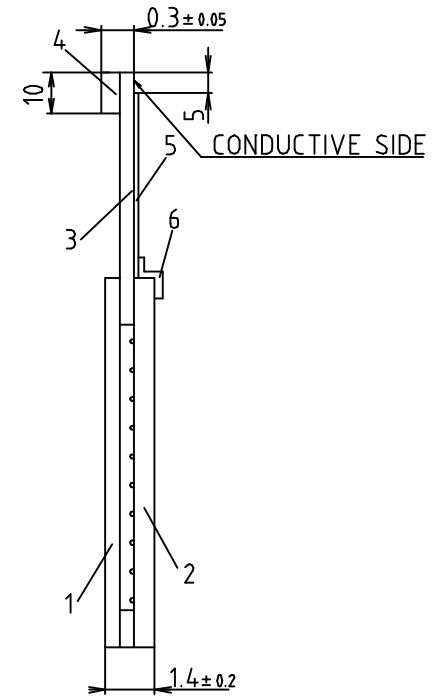
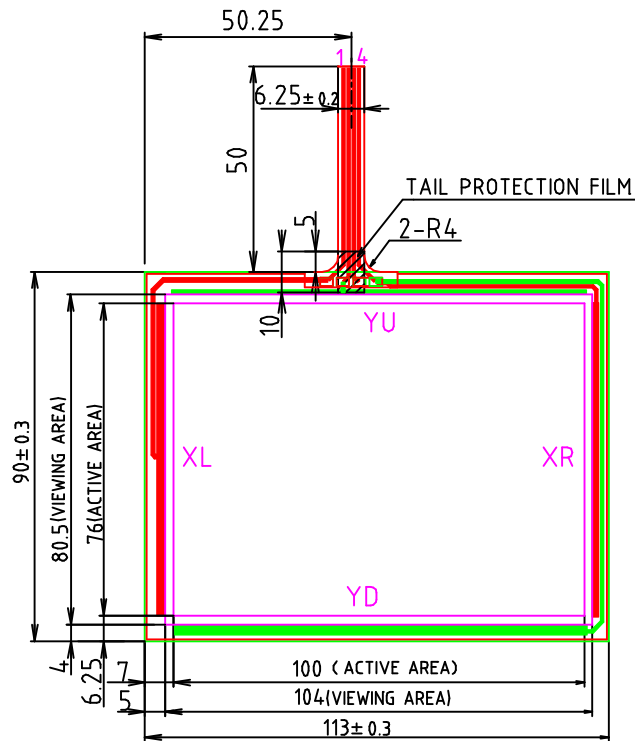


NOTE

TAIL PATTERN PITCH		1.25mm
TAIL PATTERN WIDTH	Ag	0.8mm
	C	- mm
SWITCH PATTERN WIDTH	Ag	0.8~1.0mm
	C	- mm

REMARKS

TOP CIRCUIT IS RED, BOTTOM CIRCUIT IS GREEN  
 0.15φ DOT SPACER PRINTED ON BOTTOM SHEET  
 X-YDIRECTION DOT PITCH: 4mm



**ULTRATRONIK**

www.ultratronik-distribution.de

ITEM	MATERIAL	REMARKS
1 ITO FILM	POLYESTER 188μ	
2 ITO GLASS	t = 1.1mm	
3 TAIL	POLYESTER 38μ	
4 REINFORCEMENT FILM	POLYESTER 250μ	
5 TAIL PROTECTION FILM	POLYESTER 25μ	
6 TAIL PROTECTION FILM	POLYESTER 25μ	

DATE	PART No.	TYPE		
1995.02.13	ATP047	STANDARD T/P T/P CIRCUIT DRAWING		
DATE	NOTE	APPROVED BY:	CHECKED BY:	DESIGNED BY
				OGAWA
DMC CO., LTD.				