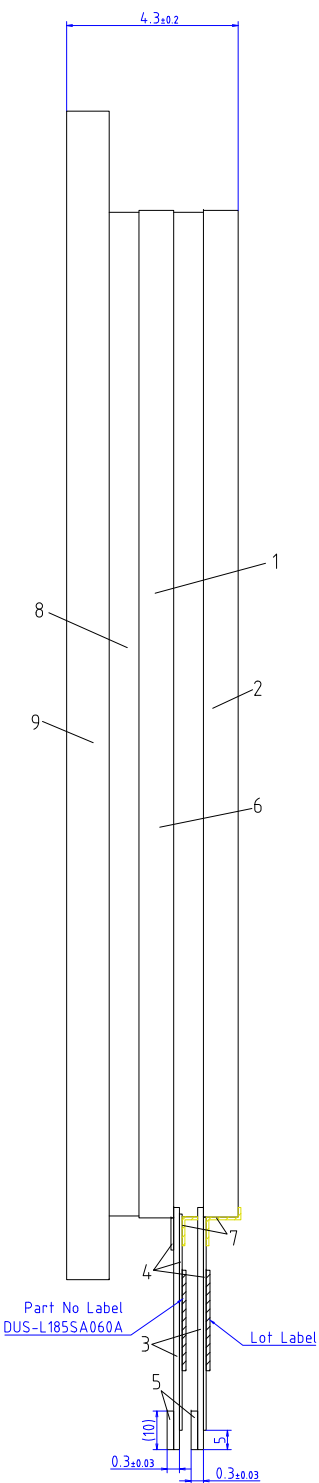
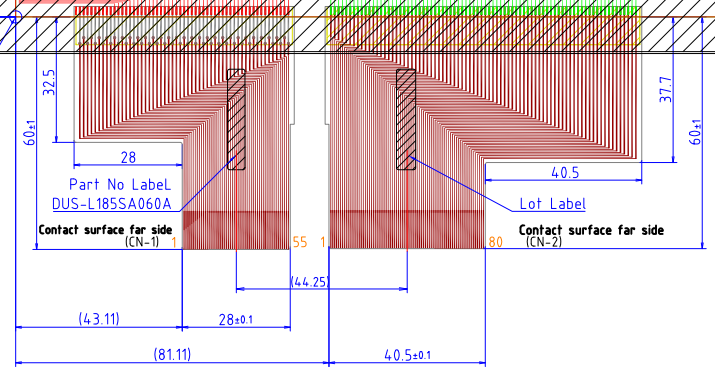


CN1 PinOut		CN2 PinOut	
1	NC	1	Dummy
2	NC	2	X00
3	NC	3	X01
4	NC	4	X02
5	NC	5	X03
6	NC	6	X04
7	NC	7	X05
8	NC	8	X06
9	NC	9	X07
10	Dummy	10	X08
11	Y00	11	X09
12	Y01	12	X10
13	Y02	13	X11
14	Y03	14	X12
15	Y04	15	X13
16	Y05	16	X14
17	Y06	17	X15
18	Y07	18	X16
19	Y08	19	X17
20	Y09	20	X18
21	Y10	21	X19
22	Y11	22	X20
23	Y12	23	X21
24	Y13	24	X22
25	Y14	25	X23
26	Y15	26	X24
27	Y16	27	X25
28	Y17	28	X26
29	Y18	29	X27
30	Y19	30	X28
31	Y20	31	X29
32	Y21	32	X30
33	Y22	33	X31
34	Y23	34	X32
35	Y24	35	X33
36	Y25	36	X34
37	Y26	37	X35
38	Y27	38	X36
39	Y28	39	X37
40	Y29	40	X38
41	Y30	41	X39
42	Y31	42	X40
43	Y32	43	X41
44	Y33	44	X42
45	Y34	45	X43
46	Y35	46	X44
47	Y36	47	X45
48	Y37	48	X46
49	Y38	49	X47
50	Y39	50	X48
51	Y40	51	X49
52	Y41	52	X50
53	Y42	53	X51
54	Y43	54	X52
55	Dummy	55	X53
		56	X54
		57	X55
		58	X56
		59	X57
		60	X58
		61	X59
		62	X60
		63	X61
		64	X62
		65	X63
		66	X64
		67	X65
		68	X66
		69	X67
		70	X68
		71	X69
		72	X70
		73	X71
		74	X72
		75	X73
		76	X74
		77	X75
		78	X76
		79	X77
		80	Dummy



REMARKS	
TAIL PATTERN PITCH	0.5mm
TAIL PATTERN WIDTH	Cu 0.2mm-0.3mm
	Ag - mm
CIRCUIT PATTERN WIDTH	Ag 0.1mm
	- mm
ORED: TOP CIRCUIT, GREEN: BOTTOM CIRCUIT.	
OPURPLE: TOP CIRCUIT, LIGHT BLUE: BOTTOM CIRCUIT.	
OTOLERANCE=0.3mm EXCEPT WHERE INDICATED.	



ITEM	MATERIAL	REMARKS
1 TOP ITO GLASS	t=1.1mm	IM Glass
2 BOTTOM ITO GLASS	t=1.1mm	IM Glass
3 FPC	POLYIMIDE 25µm	COPPER 18µm+ NICKEL PLATION 3µm GILDING 0.1µm
4 REINFORCEMENT FILM	POLYESTER 25µm	
5 STIFFENER	POLYESTER 188µm	
6 ADHESIVE SHEET	150µm	
7 PROTECTION TAPE	POLYESTER 25µm	
8 ADHESIVE SHEET A	150µm	
9 COVER GLASS	t=1.8mm	Chemical glass / Black printing / Chemical strengthening

**ULTRATRONIK**  
www.ultratronik-distribution.de

CUSTOMER APPROVAL

DATE: / /

PART No.		APPROVED	CHECKED	CHECKED	TRACED	DESIGNED
DUS-L185SA060A		Nov/25/14	HRATA	MYAMOTO	INOUE	INOUE
TYPE		Project Capacitive Touch Screen				
CIRCUIT DRAWING		DMC Co., Ltd.				