

Displays & Touch Screens

ULTRATRONIK Vertriebs GmbH

Dornierstraße 9
82205 Gilching

T +49 8105 77839-0
F +49 8105 77839-850

www.ultratronic-distribution.de
displays@ultratronic.de

Error and omissions excepted
Observe notice of protected rights in accordance to DIN34 / ISO16016



Product Specification

SPECIFICATION FOR APPROVAL

- () Preliminary Specification
(●) Final Specification

| | |
|-------|-----------------------|
| Title | 21.5" Full HD TFT LCD |
|-------|-----------------------|

| | |
|-------|---------|
| BUYER | General |
| MODEL | |

| | |
|----------|----------------------|
| SUPPLIER | LG Display Co., Ltd. |
| *MODEL | LM215WF3 |
| SUFFIX | SLS1 |

*When you obtain standard approval, please use the above model name without suffix

| APPROVED BY | SIGNATURE DATE |
|-------------|----------------|
| / | _____ |
| / | _____ |
| / | _____ |

Please return 1 copy for your confirmation with your signature and comments.

| APPROVED BY | SIGNATURE DATE |
|-------------------------|----------------|
| W.G. Kweon / G. Manager | _____ |
| REVIEWED BY | |
| J.H. Song / Manager [C] | _____ |
| W.Y. Noh / Manager [M] | _____ |
| J.C. Lim / Manager [P] | _____ |
| PREPARED BY | |
| Y.K. Jung / Engineer | _____ |

MNT Products Engineering Dept.
LG Display Co., Ltd

Product Specification
Contents

| No | ITEM | Page |
|-----|--------------------------------------|------|
| | COVER | 1 |
| | CONTENTS | 2 |
| | RECORD OF REVISIONS | 3 |
| 1 | GENERAL DESCRIPTION | 4 |
| 2 | ABSOLUTE MAXIMUM RATINGS | 5 |
| 3 | ELECTRICAL SPECIFICATIONS | 6 |
| 3-1 | ELECTRICAL CHARACTREISTICS | 6 |
| 3-2 | INTERFACE CONNECTIONS | 9 |
| 3-3 | SIGNAL TIMING SPECIFICATIONS | 14 |
| 3-4 | SIGNAL TIMING WAVEFORMS | 15 |
| 3-5 | COLOR INPUT DATA REFERNECE | 16 |
| 3-6 | POWER SEQUENCE | 17 |
| 3-7 | V _{LCD} Power Dip Condition | 18 |
| 4 | OPTICAL SPECIFICATIONS | 19 |
| 5 | MECHANICAL CHARACTERISTICS | 25 |
| 6 | RELIABLITY | 28 |
| 7 | INTERNATIONAL STANDARDS | 29 |
| 7-1 | SAFETY | 29 |
| 7-2 | EMC | 29 |
| 7-3 | ENVIRONMENT | 29 |
| 8 | PACKING | 30 |
| 8-1 | DESIGNATION OF LOT MARK | 30 |
| 8-2 | PACKING FORM | 30 |
| 9 | PRECAUTIONS | 31 |

Product Specification

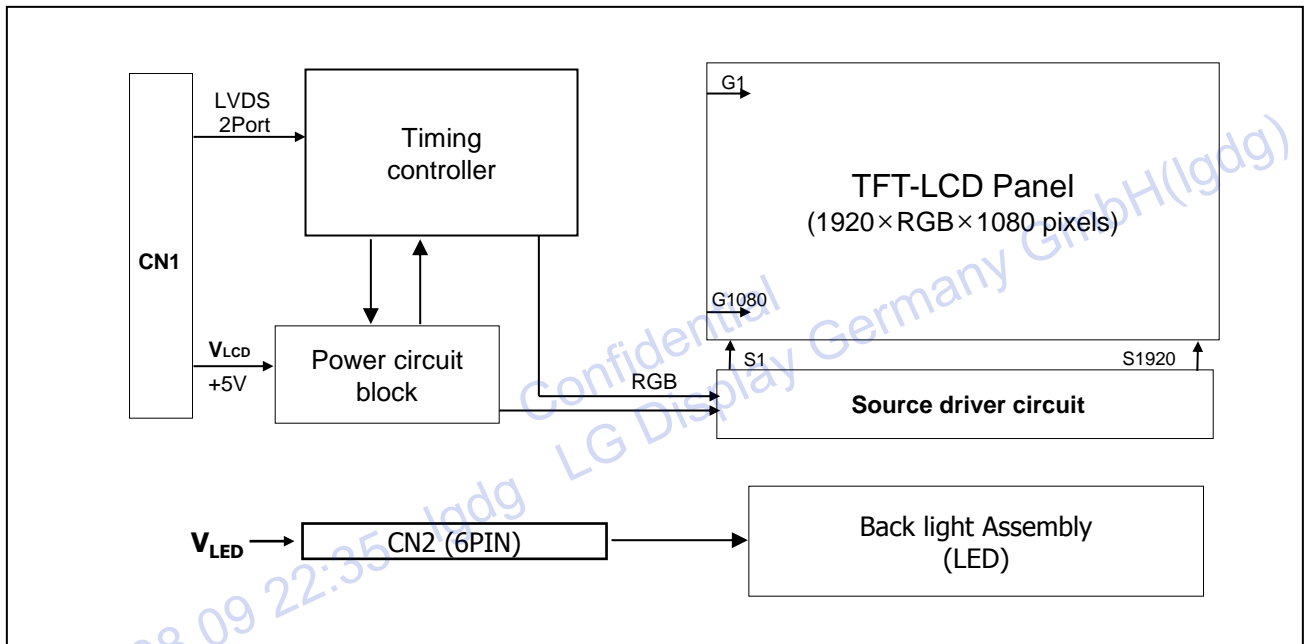
RECORD OF REVISIONS

| Revision No | Revision Date | Page | Description |
|-------------|----------------|--------|---|
| 0.0 | Jan., 06, 2016 | - | First Draft, Preliminary Specifications |
| 0.1 | Mar., 25,2016 | 4 | Update the General Features |
| | | 8 | Update the LED Bar ELECTRICAL CHARACTERISTICS |
| | | 14 | Update the TIMING TABLE |
| | | 19 | Update the OPTICAL CHARACTERISTICS |
| 0.2 | Apr., 19,2016 | 6 | Update the Permissive Power Input Ripple (100->350mV) |
| 0.3 | Apr., 25,2016 | 4, 25 | Update the Weight |
| | | 8 | Update the LED String Voltage |
| | | 19 | Update the Color Coordinates |
| 1.0 | Apr.,25, 2016 | - | Final Specifications |
| | | 26, 27 | Update the Drawing |
| | | | |
| | | | |
| | | | |
| | | | |
| | | | |
| | | | |
| | | | |
| | | | |
| | | | |
| | | | |
| | | | |
| | | | |
| | | | |
| | | | |
| | | | |
| | | | |

Product Specification

1. General Description

LM215WF3 is a Color Active Matrix Liquid Crystal Display with a Light Emitting Diode (LED) backlight Assembly without LED driver. The matrix employs a-Si Thin Film Transistor as the active element. It is a transmissive type display operating in the normally black mode. It has a 21.5 inch diagonally measured active display area with FHD resolution (1080 vertical by 1920 horizontal pixel array) Each pixel is divided into Red, Green and Blue sub-pixels or dots which are arranged in vertical stripes. Gray scale or the brightness of the sub-pixel color is determined with a 8-bit gray scale signal for each dot, thus, presenting a palette of more than 16,7M colors with A-FRC (Advanced Frame Rate Control). It has been designed to apply the 8Bit 2 port LVDS interface. It is intended to support displays where high brightness, super wide viewing angle, high color saturation, and high color are important.



[Figure 1] Block diagram

General Features

| | |
|------------------------|--|
| Active Screen Size | 21.5 inches(54.61cm) diagonal |
| Outline Dimension | 497.6(H) x 292.2(V) x 10.5(D) mm |
| Pixel Pitch | 0.08265*RGB(H)mm x 0.24795(V)mm |
| Pixel Format | 1920 horiz. By 1080 vert. Pixels RGB stripes arrangement |
| Color Depth | 16,7M colors (6bit + A-FRC) |
| Luminance, White | 250 cd/m ² (Center 1 Point, Typ.) |
| Viewing Angle(CR>10) | View Angle Free (R/L 178(Typ.), U/D 178(Typ.)) |
| Power Consumption | Total 11.05 W (Typ.) 3.75 W @V _{LCD} , 7.3 W @I _s =75 mA |
| Weight | 1685 g(Typ.) |
| Display Operating Mode | Transmissive mode, normally black |
| Panel Type | Reverse Type |
| Surface Treatment | Anti-glare treatment of the front polarizer (Haze 25%, 3H) |

Product Specification

2. Absolute Maximum Ratings

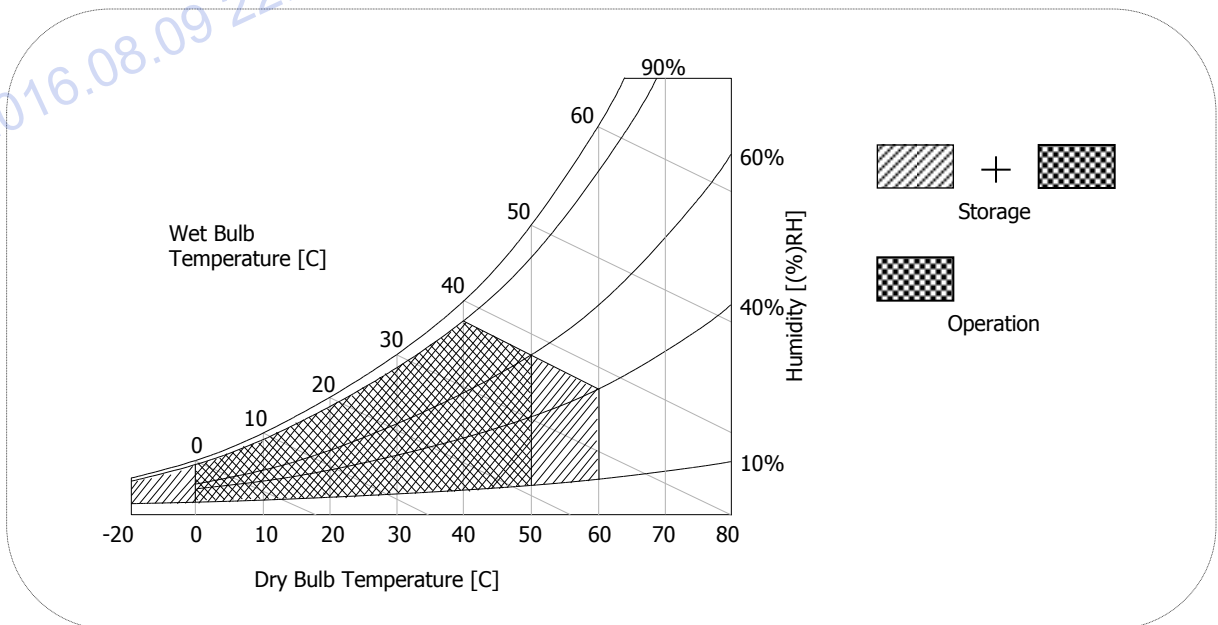
The following are maximum values which, if exceeded, may cause faulty operation or damage to the unit.

Table 1. ABSOLUTE MAXIMUM RATINGS

| Parameter | Symbol | Values | | Units | Notes |
|-------------------------------------|----------------------|--------|-----|-------|-------------|
| | | Min | Max | | |
| Power Input Voltage | V _{LCD} | -0.3 | 6.0 | Vdc | at 25 ± 2°C |
| Operating Temperature | T _{OP} | 0 | 50 | °C | 1, 2, 3 |
| Storage Temperature | T _{ST} | -20 | 60 | °C | |
| Operating Ambient Humidity | H _{OP} | 10 | 90 | %RH | |
| Storage Humidity | H _{ST} | 10 | 90 | %RH | 1, 4 |
| LCM Surface Temperature (Operation) | T _{Surface} | 0 | 65 | °C | |

- Note : 1. Temperature and relative humidity range are shown in the figure below.
 Wet bulb temperature should be 39 °C Max, and no condensation of water.
 2. Maximum Storage Humidity is up to 40 °C, 70% RH only for 4 corner light leakage Mura.
 3. Storage condition is guaranteed under packing condition
 4. LCM Surface Temperature should be Min. 0°C and Max. 65°C under the V_{LCD}=5.0V, f_V=60Hz, 25°C ambient Temp. no humidity control and LED string current is typical value.

FIG.2 Temperature and relative humidity



Product Specification

3. Electrical Specifications

3-1. Electrical Characteristics

It requires two power inputs. One is employed to power the LCD electronics and to drive the TFT array and liquid crystal. The second input power for the LED/Backlight, is typically generated by a LED Driver. The LED Driver is an external unit to the LCDs.

Table 2-1. ELECTRICAL CHARACTERISTICS

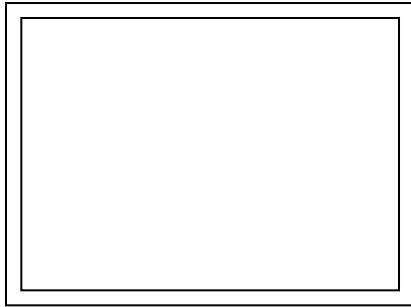
| Parameter | Symbol | Values | | | Unit | Notes |
|-------------------------------|-------------------------|--------|------|------|-------------------|-------|
| | | Min | Typ | Max | | |
| MODULE : | | | | | | |
| Power Supply Input Voltage | V _{LCD} | 4.5 | 5 | 5.5 | Vdc | 5 |
| Permissive Power Input Ripple | V _{dRF} | | | 350 | mV _{p-p} | 1 |
| Power Supply Input Current | I _{LCD_Mosaic} | - | 750 | 940 | mA | 2 |
| | I _{LCD_White} | - | 920 | 1150 | mA | 3 |
| Power Consumption | P _{c_Mosaic} | - | 3.75 | 4.7 | Watt | 2 |
| | P _{c_White} | - | 4.6 | 5.75 | Watt | 3 |
| Rush current | I _{RUSH} | - | - | 3.0 | A | 4 |

Note :

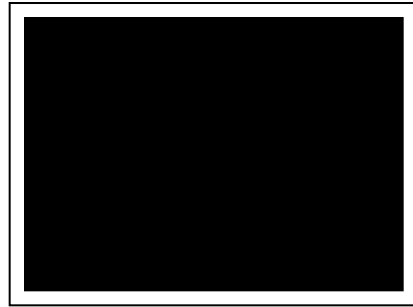
- Permissive power ripple should be measured under V_{LCD} =5.0V, 25°C, fV(frame frequency)=MAX condition and At that time, we recommend the bandwidth configuration of oscilloscope is to be under 20Mhz. See the next page.
- The specified current and power consumption are under the V_{LCD}=5.0V, 25± 2°C,fV=60Hz condition whereas Typical Power Pattern [Mosaic] shown in the [Figure 3] is displayed.
- The current is specified at the maximum current pattern.
- Maximum Condition of Inrush current :
The duration of rush current is about 5ms and rising time of power Input is 500us ± 20%.(min.).
- V_{LCD} level must be measured at two points on LCM PCB - between V_{LCD}(test point) and LCM Ground. The measured results need to meet the Power supply input voltage spec.
(Test condition : maximum power pattern , 25± 2°C, fV=60Hz)

Product Specification

- **Permissive Power input ripple** ($V_{LCD} = 5.0V$, $25^{\circ}C$, f_v (frame frequency)=MAX condition)

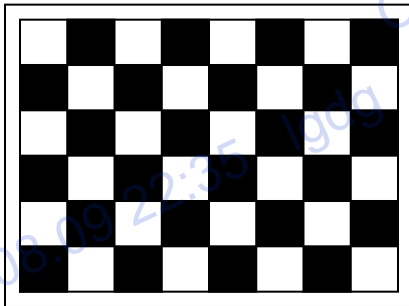


White pattern

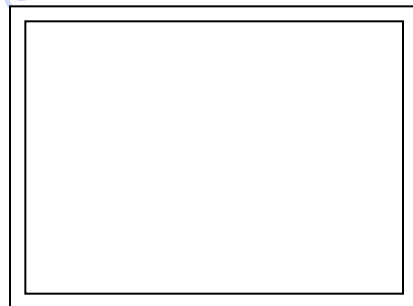


Black pattern

- **Power consumption** ($V_{LCD} = 5V$, $25^{\circ}C$, f_v (frame frequency)=60Hz condition)



Typical power Pattern



Maximum power Pattern

FIG.3 Mosaic pattern & White Pattern for power consumption measurement

Product Specification
Table 2-2. LED Bar ELECTRICAL CHARACTERISTICS

| Parameter | Symbol | Values | | | Unit | Notes |
|--------------------|--------|--------|------|------|------|---------|
| | | Min. | Typ. | Max. | | |
| LED String Current | Is | - | 75 | 80 | mA | 1, 2, 6 |
| LED String Voltage | Vs | 45.4 | 48.8 | 52.2 | V | 1, 3, 6 |
| Power Consumption | PBar | - | 7.3 | 7.8 | Watt | 1, 2, 5 |
| LED Life Time | LED_LT | 30,000 | - | - | Hrs | 4 |

Notes) The LED Bar consists of 34 LED packages, 2 strings (parallel) x 17 packages (serial)

LED driver design guide

- : The design of the LED driver must have specifications for the LED in LCD Assembly. The performance of the LED in LCM, for example life time or brightness, is extremely influenced by the characteristics of the LED driver. So all the parameters of an LED driver should be carefully designed and output current should be Constant current control. Please control feedback current of each string individually to compensate the current variation among the strings of LEDs. When you design or order the LED driver, please make sure unwanted lighting caused by the mismatch of the LED and the LED driver (no lighting, flicker, etc) never occurs. When you confirm it, the LCD module should be operated in the same condition as installed in your instrument.

1. The specified values are for a single LED bar.
2. The specified current is defined as the input current for a single LED string with 100% duty cycle.
3. The specified voltage is input LED string and Bar voltage at typical Current 100% duty current.
4. The LED life time is defined as the time when brightness of LED packages become 50% or less than the initial value under the conditions at $T_a = 25 \pm 2^\circ\text{C}$ and LED string current is typical value.
5. The power consumption shown above does not include loss of external driver.
 - The typical power consumption is calculated as $P_{\text{Bar}} = V_s(\text{Typ.}) \times I_s(\text{Typ.}) \times \text{No. of strings}$.
 - The maximum power consumption is calculated as $P_{\text{Bar}} = V_s(\text{Max.}) \times I_s(\text{Typ.}) \times \text{No. of strings}$.
6. LED operating conditions are must not exceed Max. ratings.

Product Specification

3-2. Interface Connections

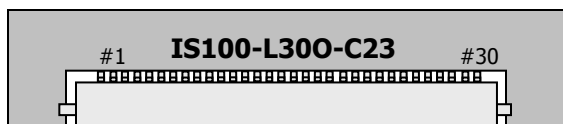
3-2-1. LCD Module

- LCD Connector(CN1) : IS100-L300-C23 (UJU) , GT103-30S-HF15 (LSM), GT103-30S-HF15-M (LSM)
- Mating Connector : FI-X30C2L (Manufactured by JAE) or Equivalent

Table 3. MODULE CONNECTOR(CN1) PIN CONFIGURATION

| No | Symbol | Description | No | Symbol | Symbol |
|----|---------|--|----|------------------|--|
| 1 | FR0M | Minus signal of odd channel 0 (LVDS) | 16 | SR1P | Plus signal of even channel 1 (LVDS) |
| 2 | FR0P | Plus signal of odd channel 0 (LVDS) | 17 | GND | Ground |
| 3 | FR1M | Minus signal of odd channel 1 (LVDS) | 18 | SR2M | Minus signal of even channel 2 (LVDS) |
| 4 | FR1P | Plus signal of odd channel 1 (LVDS) | 19 | SR2P | Plus signal of even channel 2 (LVDS) |
| 5 | FR2M | Minus signal of odd channel 2 (LVDS) | 20 | SCLKINM | Minus signal of even clock channel (LVDS) |
| 6 | FR2P | Plus signal of odd channel 2 (LVDS) | 21 | SCLKINP | Plus signal of even clock channel (LVDS) |
| 7 | GND | Ground | 22 | SR3M | Minus signal of even channel 3 (LVDS) |
| 8 | FCLKINM | Minus signal of odd clock channel (LVDS) | 23 | SR3P | Plus signal of even channel 3 (LVDS) |
| 9 | FCLKINP | Plus signal of odd clock channel (LVDS) | 24 | GND | Ground |
| 10 | FR3M | Minus signal of odd channel 3 (LVDS) | 25 | NC | No Connection (I2C Serial interface for LCM) |
| 11 | FR3P | Plus signal of odd channel 3 (LVDS) | 26 | NC | No Connection.(I2C Serial interface for LCM) |
| 12 | SR0M | Minus signal of even channel 0 (LVDS) | 27 | ITLC | Interlace mode selection |
| 13 | SR0P | Plus signal of even channel 0 (LVDS) | 28 | V _{LCD} | Power Supply +5.0V |
| 14 | GND | Ground | 29 | V _{LCD} | Power Supply +5.0V |
| 15 | SR1M | Minus signal of even channel 1 (LVDS) | 30 | V _{LCD} | Power Supply +5.0V |

- Note:
1. All GND(ground) pins should be connected together and to Vss which should also be connected to the LCD's metal frame.
 2. All V_{LCD} (power input) pins should be connected together.
 3. Input Level of LVDS signal is based on the IEA 664 Standard.
 4. Always all LVDS signal and clock input should be 4 channels and synchronized.
 5. Basically Panels cannot support "Interlaced Scan Method" and ITLC is Interlace Image Sticking Reduction Mode selection pin.
(L : Normal Mode, H : Interlace Image Sticking Reduction Mode)
If you don't use this pin, it should be connected to GND.
(Low level Input Voltage : GND ~ 0.4V, High level Input Voltage : 1.6 ~ 3.6V)



Rear view of LCM

FIG.4 Connector diagram

Product Specification
Table 4. REQUIRED SIGNAL ASSIGNMENT FOR Flat Link (TI:SN75LVDS83) Transmitter

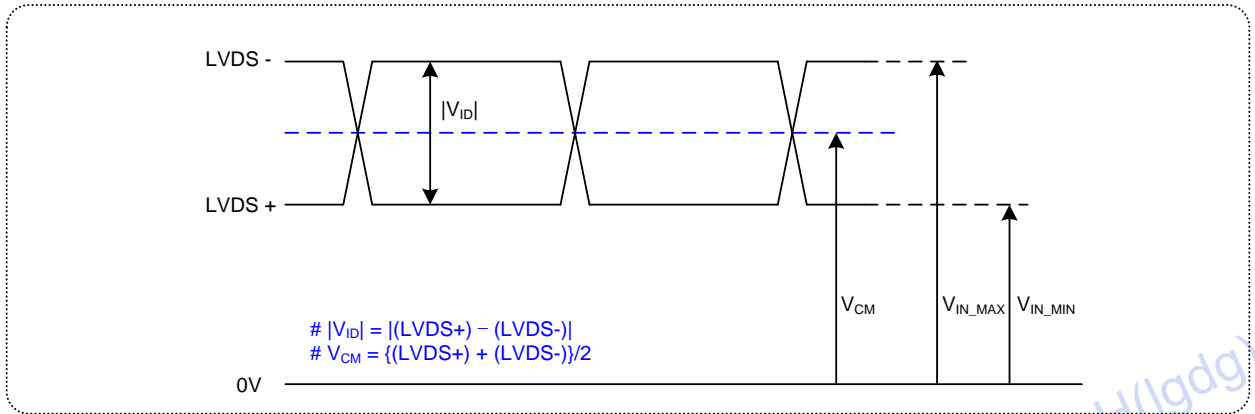
| Pin # | Pin Name | Require Signal | Pin # | Pin Name | Require Signal |
|-------|----------|----------------------------|-------|-------------------------|--|
| 1 | Vcc | Power Supply for TTL Input | 29 | GND | Ground pin for TTL |
| 2 | D5 | TTL Input (R7) | 30 | D26 | TTL Input (DE) |
| 3 | D6 | TTL Input (R5) | 31 | T _x CLKIN | TTL Level clock Input |
| 4 | D7 | TTL Input (G0) | 32 | PWR DWN | Power Down Input |
| 5 | GND | Ground pin for TTL | 33 | PLL GND | Ground pin for PLL |
| 6 | D8 | TTL Input (G1) | 34 | PLL Vcc | Power Supply for PLL |
| 7 | D9 | TTL Input (G2) | 35 | PLL GND | Ground pin for PLL |
| 8 | D10 | TTL Input (G6) | 36 | LVDS GND | Ground pin for LVDS |
| 9 | Vcc | Power Supply for TTL Input | 37 | TxOUT3 + | Positive LVDS differential data output 3 |
| 10 | D11 | TTL Input (G7) | 38 | TxOUT3 - | Negative LVDS differential data output 3 |
| 11 | D12 | TTL Input (G3) | 39 | T _x CLKOUT + | Positive LVDS differential clock output |
| 12 | D13 | TTL Input (G4) | 40 | T _x CLKOUT - | Negative LVDS differential clock output |
| 13 | GND | Ground pin for TTL | 41 | T _x OUT2 + | Positive LVDS differential data output 2 |
| 14 | D14 | TTL Input (G5) | 42 | T _x OUT2 - | Negative LVDS differential data output 2 |
| 15 | D15 | TTL Input (B0) | 43 | LVDS GND | Ground pin for LVDS |
| 16 | D16 | TTL Input (B6) | 44 | LVDS Vcc | Power Supply for LVDS |
| 17 | Vcc | Power Supply for TTL Input | 45 | T _x OUT1 + | Positive LVDS differential data output 1 |
| 18 | D17 | TTL Input (B7) | 46 | T _x OUT1 - | Negative LVDS differential data output 1 |
| 19 | D18 | TTL Input (B1) | 47 | T _x OUT0 + | Positive LVDS differential data output 0 |
| 20 | D19 | TTL Input (B2) | 48 | T _x OUT0 - | Negative LVDS differential data output 0 |
| 21 | GND | Ground pin for TTL Input | 49 | LVDS GND | Ground pin for LVDS |
| 22 | D20 | TTL Input (B3) | 50 | D27 | TTL Input (R6) |
| 23 | D21 | TTL Input (B4) | 51 | D0 | TTL Input (R0) |
| 24 | D22 | TTL Input (B5) | 52 | D1 | TTL Input (R1) |
| 25 | D23 | TTL Input (RSVD) | 53 | GND | Ground pin for TTL |
| 26 | Vcc | Power Supply for TTL Input | 54 | D2 | TTL Input (R2) |
| 27 | D24 | TTL Input (HSYNC) | 55 | D3 | TTL Input (R3) |
| 28 | D25 | TTL Input (VSYNC) | 56 | D4 | TTL Input (R4) |

Notes : 1. Refer to LVDS Transmitter Data Sheet for detail descriptions.
 2. 7 means MSB and 0 means LSB at R,G,B pixel data

Product Specification

LVDS Input characteristics

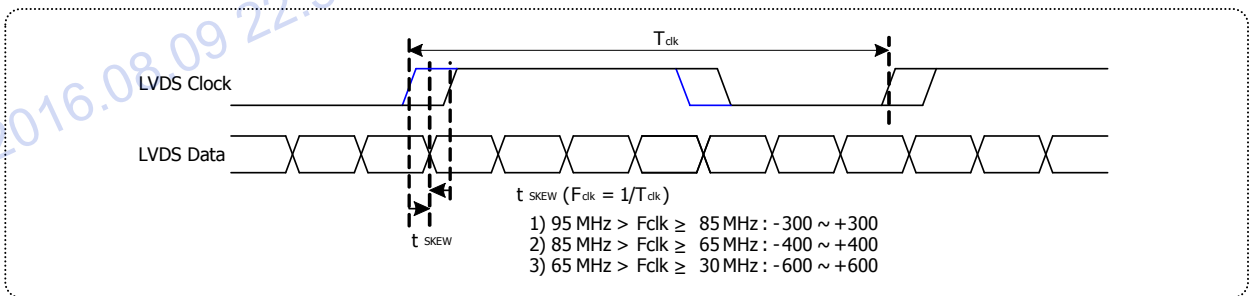
1. DC Specification



| Description | Symbol | Min | Max | Unit | Notes |
|-------------------------------|------------------|-----|-----|------|-------|
| LVDS Differential Voltage | V _{ID} | 200 | 600 | mV | - |
| LVDS Common mode Voltage | V _{CM} | 1.0 | 1.5 | V | - |
| LVDS Input Voltage Range | V _{IN} | 0.7 | 1.8 | V | - |
| Change in common mode Voltage | ΔV _{CM} | - | 250 | mV | - |

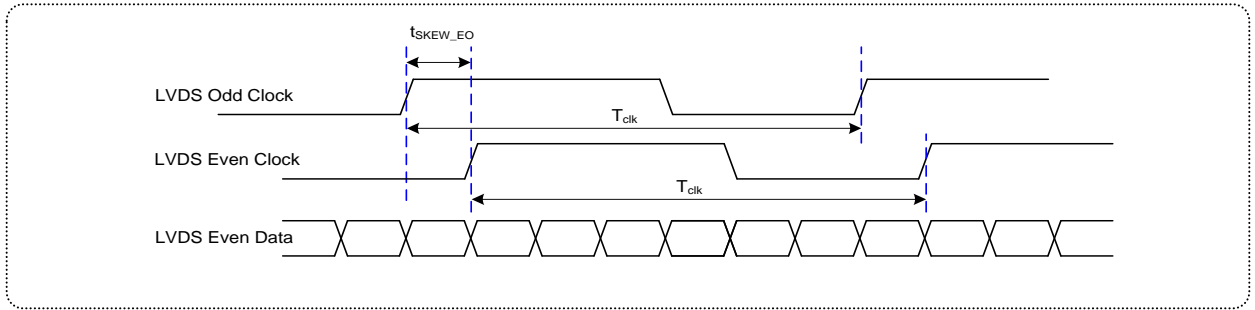
Notes : Dose not have any Noise & Peaking in LVDS Signal

2. AC Specification



| Description | Symbol | Min | Max | Unit | Notes |
|---|----------------------|-------|-------|------------------|----------------------|
| LVDS Clock to Data Skew Margin | t _{skew} | - 300 | + 300 | ps | 95MHz > Fclk ≥ 85MHz |
| | t _{skew} | - 400 | + 400 | ps | 85MHz > Fclk ≥ 65MHz |
| | t _{skew} | - 600 | + 600 | ps | 65MHz > Fclk ≥ 30MHz |
| LVDS Clock to Clock Skew Margin (Even to Odd) | t _{skew_EO} | - 1/7 | + 1/7 | T _{clk} | - |

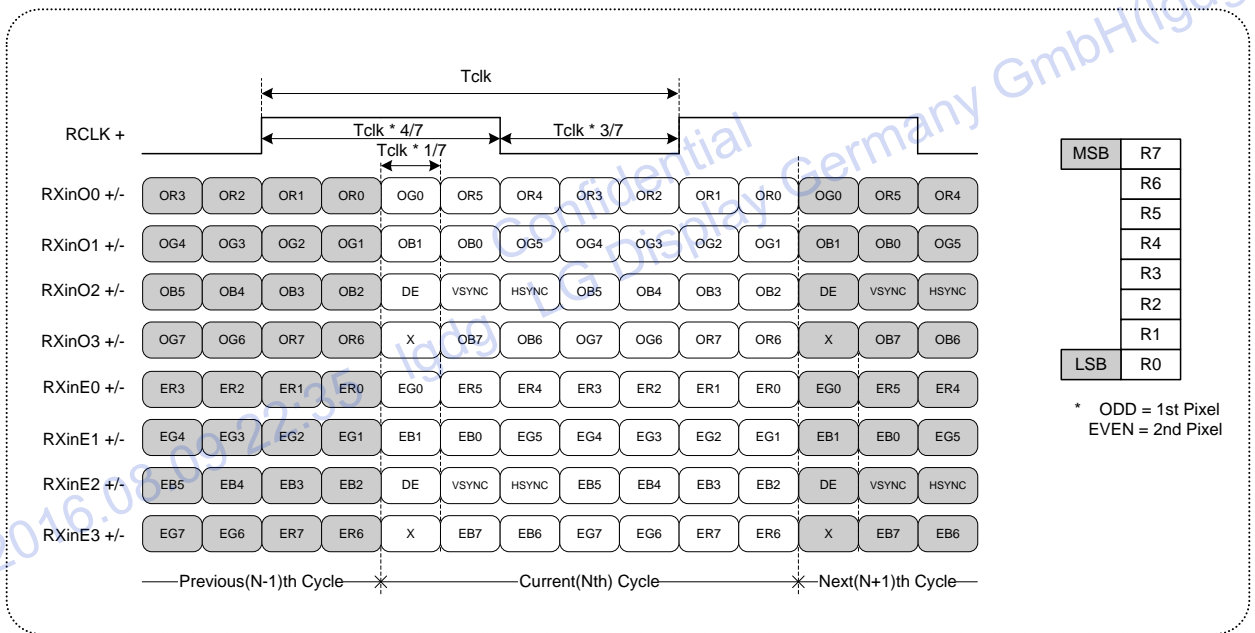
Product Specification



< Clock skew margin between channel >

3. Data Format

1) LVDS 2 Port



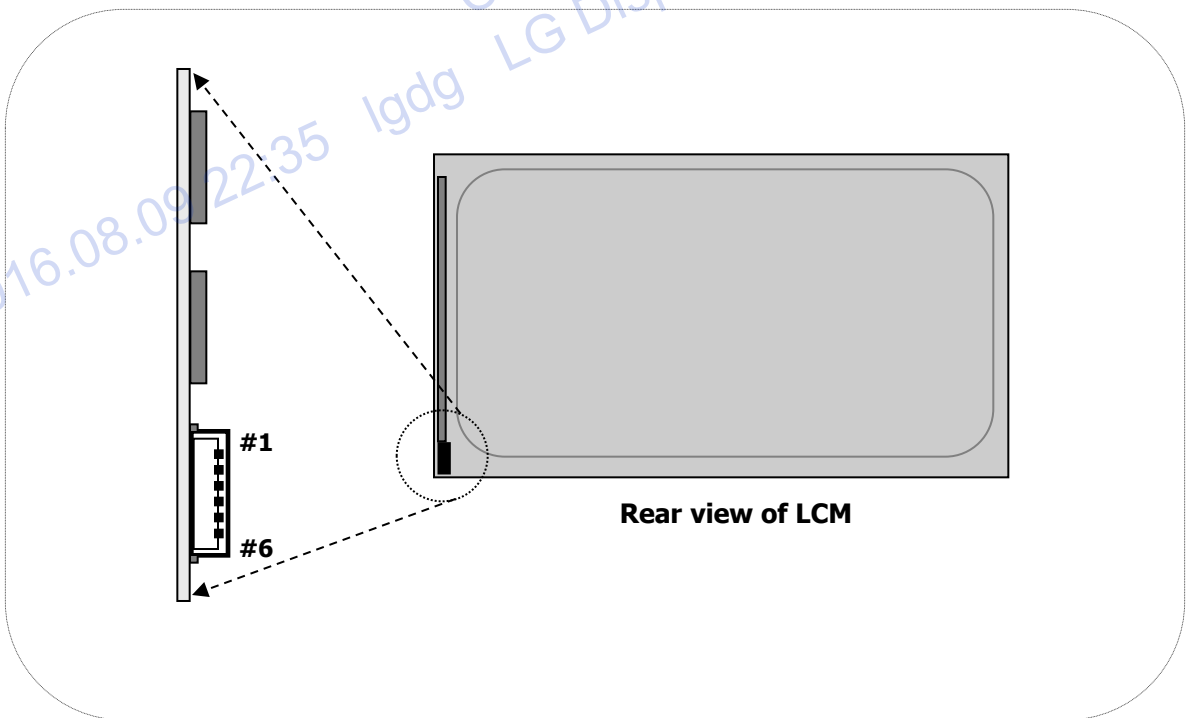
< LVDS Data Format >

Product Specification

Table 5. BACKLIGHT CONNECTOR PIN CONFIGURATION(CN2)

The LED interface connector is a model 10035WR-H06D_manufactured by YEONHO or equivalent.
The mating connector is a SHJP-06V-S(HF) or SHJP-06V-A-K(HF) and Equivalent.
The pin configuration for the connector is shown in the table below.

| Pin | Symbol | Description | Notes |
|-----|--------|---------------------------|-------|
| 1 | FB1 | Channel1 Current Feedback | |
| 2 | NC | No Connection | |
| 3 | VLED | LED Power Supply | |
| 4 | VLED | LED Power Supply | |
| 5 | NC | No Connection | |
| 6 | FB2 | Channel2 Current Feedback | |



[Figure 5] Backlight connector view

Product Specification
3-3. Signal Timing Specifications

This is signal timing required at the input of the TMDS transmitter. All of the interface signal timing should be satisfied with the following specifications for its proper operation.

Table 6. TIMING TABLE

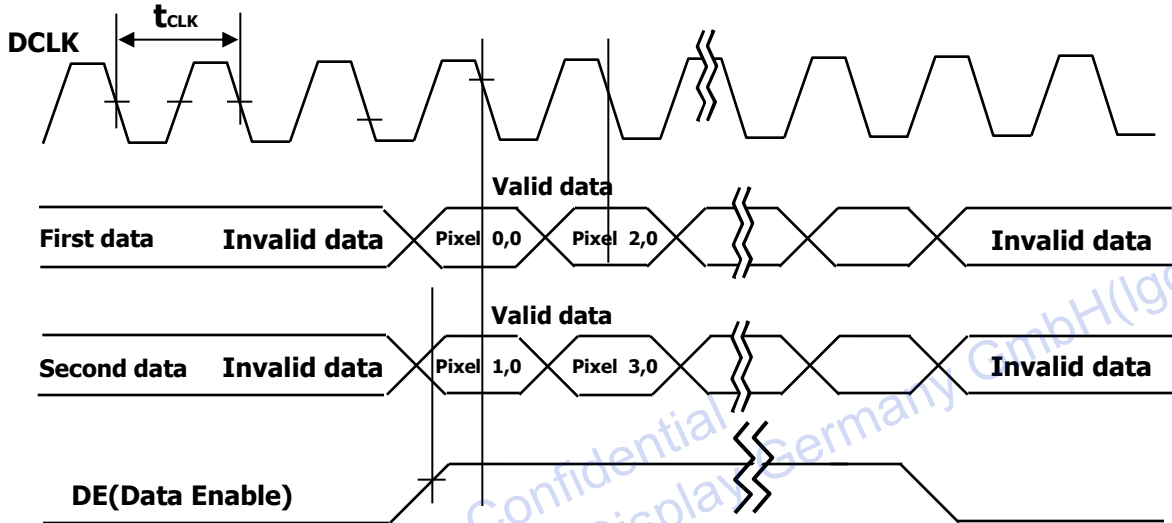
| ITEM | Symbol | | Min | Typ | Max | Unit | Note |
|-------|------------------|------|-------|-------|-------|------|------|
| DCLK | Period | tCLK | 11.43 | 13.89 | 16.7 | ns | |
| | Frequency | - | 60 | 72 | 90.39 | MHz | 5 |
| Hsync | Period | tHP | 1024 | 1088 | 1120 | tCLK | |
| | Horizontal Valid | tHV | 960 | 960 | 960 | tCLK | |
| | Horizontal Blank | tHB | 64 | 128 | 160 | | |
| | Frequency | fH | 64 | 66 | 83 | KHz | |
| Vsync | Period | tVP | 1090 | 1100 | 1251 | tHP | |
| | Vertical Valid | tVV | 1080 | 1080 | 1080 | tHP | |
| | Vertical Blank | tVB | 10 | 20 | 80 | tHP | |
| | Frequency | fV | 50 | 60 | 75 | Hz | |

Note: Hsync period and Hsync width-active should be even number times of tCLK. If the value is odd number times of tCLK, display control signal can be asynchronous. In order to operate this LCM a Hsync, Vsync, and DE(data enable) signals should be used.

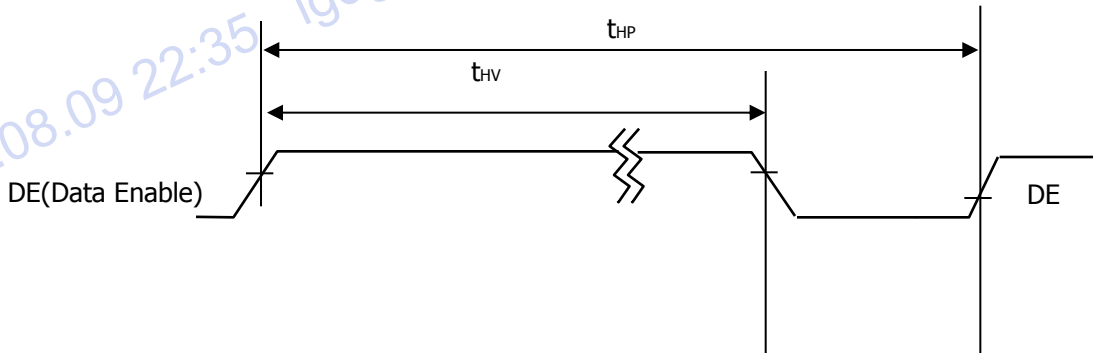
1. The performance of the electro-optical characteristics may be influenced by variance of the vertical refresh rates.
2. Vsync and Hsync should be keep the above specification.
3. Hsync Period, Hsync Width, and Horizontal Back Porch should be any times of of character number(4).
4. The polarity of Hsync, Vsync is not restricted.
5. The Max frequency of 1920X1080 resolution is 87.5Mhz

3-4. Signal Timing Waveforms

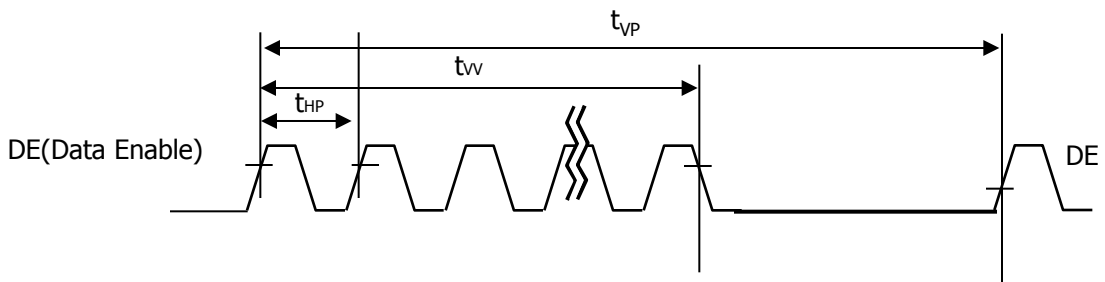
1. DCLK, DE, DATA waveforms



2. Horizontal waveform



3. Vertical waveform



Product Specification
3-5. Color Input Data Reference

The Brightness of each primary color(red,green,blue) is based on the 8-bit gray scale data input for the color; the higher the binary input, the brighter the color. The table below provides a reference for color versus data input.

Table 7. COLOR DATA REFERENCE

| Color | | Input Color Data | | | | | | | | | | | | | | | | | | | | | | | |
|-------------|------------------|------------------|----|----|----|-----|----|----|----|-------|----|----|----|-----|----|----|----|------|----|----|----|-----|----|----|----|
| | | RED | | | | | | | | GREEN | | | | | | | | BLUE | | | | | | | |
| | | MSB | | | | LSB | | | | MSB | | | | LSB | | | | MSB | | | | LSB | | | |
| | | R7 | R6 | R5 | R4 | R3 | R2 | R1 | R0 | G7 | G6 | G5 | G4 | G3 | G2 | G1 | G0 | B7 | B6 | B5 | B4 | B3 | B2 | B1 | B0 |
| Basic Color | Black | 0 | 0 | 0 | 0 | 0 | 0 | 0 | 0 | 0 | 0 | 0 | 0 | 0 | 0 | 0 | 0 | 0 | 0 | 0 | 0 | 0 | 0 | 0 | 0 |
| | Red (255) | 1 | 1 | 1 | 1 | 1 | 1 | 1 | 1 | 0 | 0 | 0 | 0 | 0 | 0 | 0 | 0 | 0 | 0 | 0 | 0 | 0 | 0 | 0 | 0 |
| | Green (255) | 0 | 0 | 0 | 0 | 0 | 0 | 0 | 0 | 1 | 1 | 1 | 1 | 1 | 1 | 1 | 1 | 0 | 0 | 0 | 0 | 0 | 0 | 0 | 0 |
| | Blue (255) | 0 | 0 | 0 | 0 | 0 | 0 | 0 | 0 | 0 | 0 | 0 | 0 | 0 | 0 | 0 | 0 | 1 | 1 | 1 | 1 | 1 | 1 | 1 | 1 |
| | Cyan | 0 | 0 | 0 | 0 | 0 | 0 | 0 | 0 | 1 | 1 | 1 | 1 | 1 | 1 | 1 | 1 | 1 | 1 | 1 | 1 | 1 | 1 | 1 | 1 |
| | Magenta | 1 | 1 | 1 | 1 | 1 | 1 | 1 | 1 | 0 | 0 | 0 | 0 | 0 | 0 | 0 | 0 | 1 | 1 | 1 | 1 | 1 | 1 | 1 | 1 |
| | Yellow | 1 | 1 | 1 | 1 | 1 | 1 | 1 | 1 | 1 | 1 | 1 | 1 | 1 | 1 | 1 | 1 | 0 | 0 | 0 | 0 | 0 | 0 | 0 | 0 |
| | White | 1 | 1 | 1 | 1 | 1 | 1 | 1 | 1 | 1 | 1 | 1 | 1 | 1 | 1 | 1 | 1 | 1 | 1 | 1 | 1 | 1 | 1 | 1 | 1 |
| RED | RED (000) Dark | 0 | 0 | 0 | 0 | 0 | 0 | 0 | 0 | 0 | 0 | 0 | 0 | 0 | 0 | 0 | 0 | 0 | 0 | 0 | 0 | 0 | 0 | 0 | 0 |
| | RED (001) | 0 | 0 | 0 | 0 | 0 | 0 | 0 | 1 | 0 | 0 | 0 | 0 | 0 | 0 | 0 | 0 | 0 | 0 | 0 | 0 | 0 | 0 | 0 | 0 |
| | ... | ... | | | | | | | | ... | | | | | | | | ... | | | | | | | |
| | RED (254) | 1 | 1 | 1 | 1 | 1 | 1 | 1 | 0 | 0 | 0 | 0 | 0 | 0 | 0 | 0 | 0 | 0 | 0 | 0 | 0 | 0 | 0 | 0 | 0 |
| | RED (255) | 1 | 1 | 1 | 1 | 1 | 1 | 1 | 1 | 0 | 0 | 0 | 0 | 0 | 0 | 0 | 0 | 0 | 0 | 0 | 0 | 0 | 0 | 0 | 0 |
| GREEN | GREEN (000) Dark | 0 | 0 | 0 | 0 | 0 | 0 | 0 | 0 | 0 | 0 | 0 | 0 | 0 | 0 | 0 | 0 | 0 | 0 | 0 | 0 | 0 | 0 | 0 | 0 |
| | GREEN (001) | 0 | 0 | 0 | 0 | 0 | 0 | 0 | 0 | 0 | 0 | 0 | 0 | 0 | 0 | 0 | 1 | 0 | 0 | 0 | 0 | 0 | 0 | 0 | 0 |
| | ... | ... | | | | | | | | ... | | | | | | | | ... | | | | | | | |
| | GREEN (254) | 0 | 0 | 0 | 0 | 0 | 0 | 0 | 0 | 1 | 1 | 1 | 1 | 1 | 1 | 1 | 0 | 0 | 0 | 0 | 0 | 0 | 0 | 0 | 0 |
| | GREEN (255) | 0 | 0 | 0 | 0 | 0 | 0 | 0 | 0 | 1 | 1 | 1 | 1 | 1 | 1 | 1 | 1 | 0 | 0 | 0 | 0 | 0 | 0 | 0 | 0 |
| BLUE | BLUE (000) Dark | 0 | 0 | 0 | 0 | 0 | 0 | 0 | 0 | 0 | 0 | 0 | 0 | 0 | 0 | 0 | 0 | 0 | 0 | 0 | 0 | 0 | 0 | 0 | 0 |
| | BLUE (001) | 0 | 0 | 0 | 0 | 0 | 0 | 0 | 0 | 0 | 0 | 0 | 0 | 0 | 0 | 0 | 0 | 0 | 0 | 0 | 0 | 0 | 0 | 0 | 1 |
| | ... | ... | | | | | | | | ... | | | | | | | | ... | | | | | | | |
| | BLUE (254) | 0 | 0 | 0 | 0 | 0 | 0 | 0 | 0 | 0 | 0 | 0 | 0 | 0 | 0 | 0 | 0 | 1 | 1 | 1 | 1 | 1 | 1 | 1 | 0 |
| | BLUE (255) | 0 | 0 | 0 | 0 | 0 | 0 | 0 | 0 | 0 | 0 | 0 | 0 | 0 | 0 | 0 | 0 | 1 | 1 | 1 | 1 | 1 | 1 | 1 | 1 |

Product Specification

3-6. Power Sequence

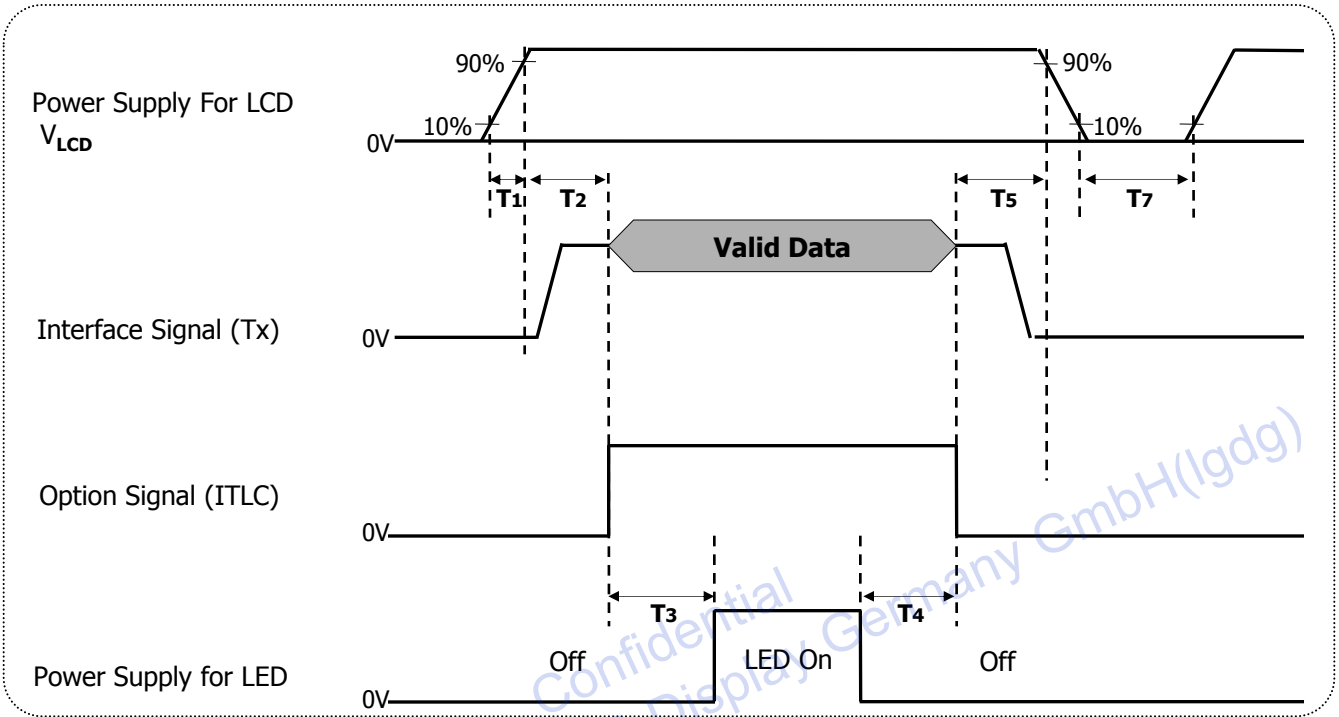


Table 8. POWER SEQUENCE

| Parameter | Values | | | Units |
|-----------|--------|-----|-----|-------|
| | Min | Typ | Max | |
| T1 | 0.5 | - | 10 | ms |
| T2 | 0.01 | - | 50 | ms |
| T3 | 500 | - | - | ms |
| T4 | 200 | - | - | ms |
| T5 | 0.01 | - | 50 | ms |
| T7 | 1000 | - | - | ms |

Notes :

- The above power sequence should be satisfied at these case
 - AC/DC Power On/Off
 - Mode change (Resolution, frequency, timing, sleep mode, Color depth change, etc.)

If not to follow power sequence, there is a risk of abnormal display.

- Please avoid floating state of interface signal at invalid period.
- When the interface signal is invalid, be sure to pull down the power supply for LCD V_{LCD} to 0V.
- The valid data must be complied with signal timing specifications (Timing Table).
- LED power must be turn on after power supply for LCD an interface signal are valid.
- . If V_{LCD} Power is Changed during on status, be sure to Pull down the LED Power on to 0V

3-7. V_{LCD} Power Dip Condition

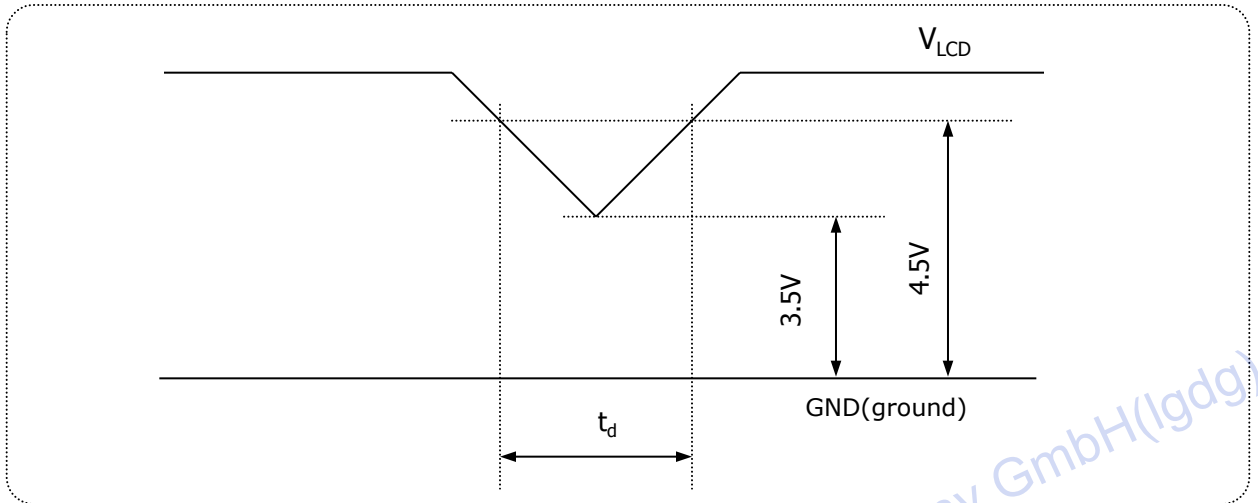


FIG.6 Power dip condition

1) Dip condition

$$3.5V \leq V_{LCD} < 4.5V, t_d \leq 20ms$$

2) $V_{LCD} < 3.5V$

V_{LCD} -dip conditions should also follow the Power On/Off conditions for supply voltage.

Product Specification

4. Optical Specifications

Optical characteristics are determined after the unit has been 'ON' for approximately 30 minutes in a dark environment at $25 \pm 2^\circ\text{C}$. The values specified are at an approximate distance 50cm from the LCD surface at a viewing angle of Φ and θ equal to 0° and aperture 1 degree.

FIG. 1 presents additional information concerning the measurement equipment and method.

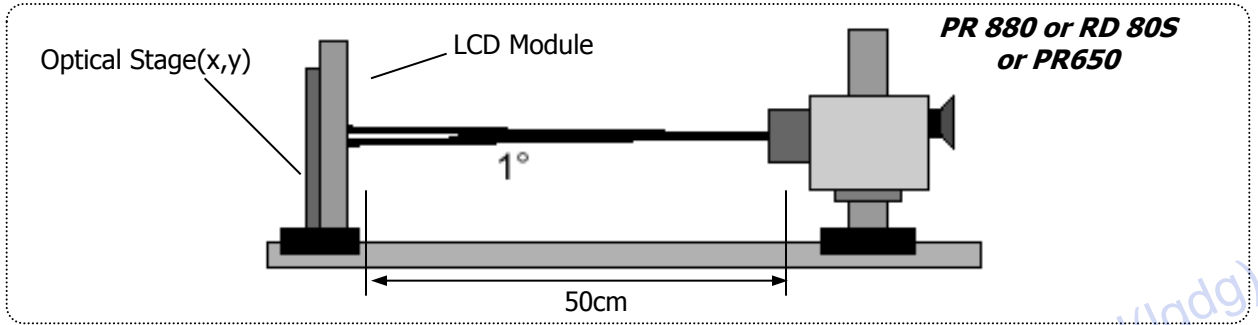


FIG.7 Optical Characteristic Measurement Equipment and Method

Table 9. OPTICAL CHARACTERISTICS

($T_a=25^\circ\text{C}$, $V_{LCD}=5\text{V}$, $f_v=60\text{Hz}$ Dclk=144MHz, $I_{BL}=75\text{mA}$)

| Parameter | Symbol | Values | | | Units | Notes | |
|---|------------------|-------------------|-------|----------|-------------------|--------|---|
| | | Min | Typ | Max | | | |
| Contrast Ratio | CR | 700 | 1000 | - | | 1 | |
| Surface Luminance, white | L_{WH} | 200 | 250 | - | cd/m ² | 2 | |
| Luminance Variation | δ_{WHITE} | 75 | - | - | % | 3 | |
| Response Time | Gray To Gray | T_{GTG_AVR} | 14 | 25 | ms | 4 | |
| Color Coordinates [CIE1931] (By PR650) | RED | Rx | | 0.654 | | | |
| | | Ry | | 0.338 | | | |
| | GREEN | Gx | | 0.323 | | | |
| | | Gy | Typ | 0.612 | Typ | | |
| | BLUE | Bx | -0.03 | 0.151 | +0.03 | | |
| | | By | | 0.062 | | | |
| | WHITE | Wx | | 0.313 | | | |
| | | Wy | | 0.329 | | | |
| Color Shift (Avg. $\Delta u'v' < 0.02$) | Horizontal | θ_{CST_H} | - | 140 | - | Degree | 5 |
| | Vertical | θ_{CST_V} | - | 100 | - | | |
| Viewing Angle (CR>10) | | | | | | | |
| General | Horizontal | θ_H | 170 | 178 | - | Degree | 6 |
| | Vertical | θ_V | 170 | 178 | - | | |
| WPT (White Point Tracking) | - | - | -300 | G255 CCT | +700 | K | 8 |
| Gray Scale | - | - | - | 2.2 | - | | 9 |

Product Specification

Notes 1. Contrast Ratio(CR) is defined mathematically as : **(By PR880)**

$$\text{Contrast Ratio} = \frac{\text{Surface Luminance with all white pixels}}{\text{Surface Luminance with all black pixels}}$$

It is measured at center point(Location P1)

2. Surface luminance(L_{WH})is luminance value at Center 1 point(P1) across the LCD surface 50cm from the surface with all pixels displaying white. For more information see FIG.8 (By PR880)

3. The variation in surface luminance , δ WHITE is defined as : **(By PR880)**

$$\delta_{\text{WHITE}} = \frac{\text{Minimum}(L_{P1}, L_{P2}, \dots, L_{P9})}{\text{Maximum}(L_{P1}, L_{P2}, \dots, L_{P9})} \times 100$$

Where L1 to L9 are the luminance with all pixels displaying white at 9 locations.
For more information see FIG.8

4. Gray to gray response time is the time required for the display to transition from gray to gray.
For additional information see Table 10. **(By RD80S)**

5. Color shift is the angle at which the average color difference for all Macbeth is lower than 0.02.
For more information see FIG.9 **(By EZ Contrast)**
- Color difference (Δu'v')

$$u' = \frac{4x}{-2x+12y+3} \quad v' = \frac{9y}{-2x+12y+3} \quad \Delta u'v' = \sqrt{(u'_1 - u'_2)^2 + (v'_1 - v'_2)^2}$$

$$\text{Avg}(\Delta u'v') = \frac{\sum_{i=1}^{24} (\Delta u'v')_i}{24}$$

u'1, v'1 : u'v' value at viewing angle direction
u'2, v'2 : u'v' value at front (θ=0)
i : Macbeth chart number (Define 23 page)

- Pattern size : 25% Box size
- Viewing angle direction of color shift : Horizontal, Vertical

6. Viewing angle is the angle at which the contrast ratio is greater than 10. The angles are determined for the horizontal or x axis and the vertical or y axis with respect to the z axis which is normal to the LCD surface. For more information see FIG.10 **(By PR880)**

7. WPT (White Point Tracking) is the variation of color temperature between G255 and G63.
(By PR650)

8. Gamma Value is approximately 2.2. For more information see Table 11.

Product Specification

Measuring point for surface luminance & measuring point for luminance variation.

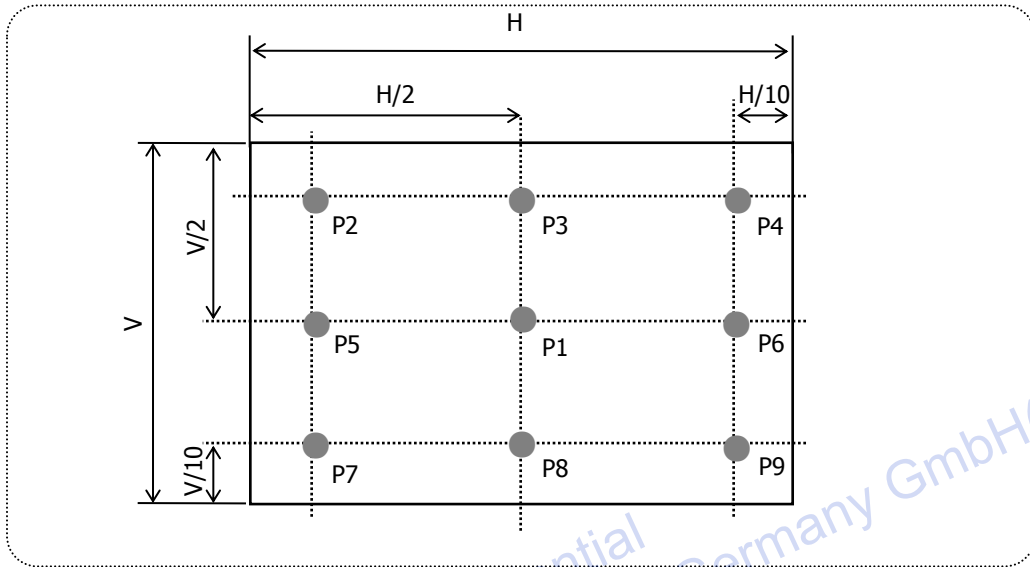


FIG.8 Measure Point for Luminance

The Gray to Gray response time is defined as the following figure and shall be measured by switching the input signal for "Gray To Gray".

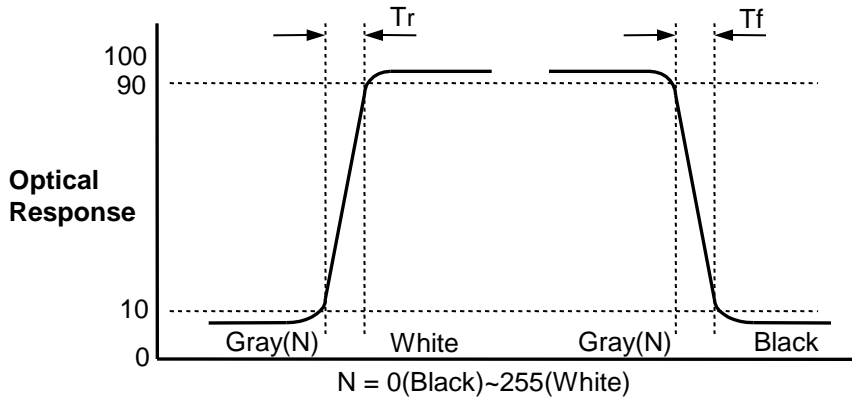
- Gray step : 5 Step
- TGTG_AVR is the total average time at rising time and falling time for "Gray To Gray".
- if system use ODC (Over Driving Circuit) function, Gray to Gary response time may be 5ms~8ms GtG
- * it depends on Overshoot rate.

Table. 10 GTG Gray Table

| Gray to Gray | | Rising Time | | | | |
|--------------|------|-------------|------|------|-----|----|
| | | G255 | G191 | G127 | G63 | G0 |
| Falling Time | G255 | | | | | |
| | G191 | | | | | |
| | G127 | | | | | |
| | G63 | | | | | |
| | G0 | | | | | |

Product Specification

G to G(BW) Response time is defined as the following figure and shall be measured by switching the input signal for "Gray(N)" and "Black or White".



Color shift is defined as the following test pattern and color.

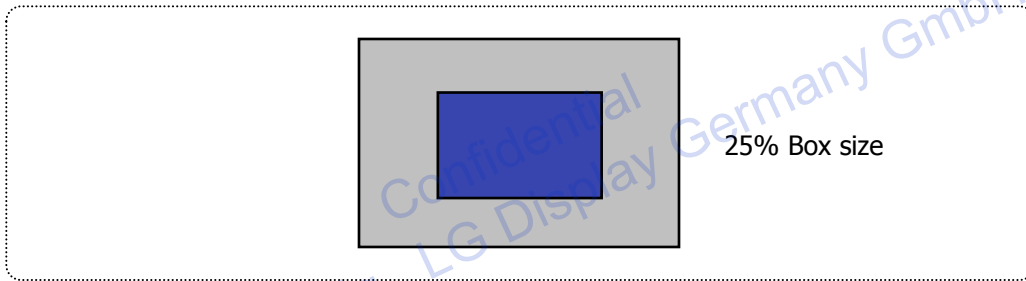


FIG.9 Color Shift Test Pattern

Average RGB values in Bruce RGB for Macbeth Chart

| | Dark skin (i=1) | Light skin | Blue sky | Foliage | Blue flower | Bluish green |
|---|-----------------|---------------|--------------|-----------|--------------|---------------|
| R | 98 | 206 | 85 | 77 | 129 | 114 |
| G | 56 | 142 | 112 | 102 | 118 | 199 |
| B | 45 | 123 | 161 | 46 | 185 | 178 |
| | Orange | Purplish blue | Moderate red | Purple | Yellow green | Orange yellow |
| R | 219 | 56 | 211 | 76 | 160 | 230 |
| G | 104 | 69 | 67 | 39 | 193 | 162 |
| B | 24 | 174 | 87 | 86 | 58 | 29 |
| | Blue | Green | Red | Yellow | Magenta | Cyan |
| R | 26 | 72 | 197 | 241 | 207 | 35 |
| G | 32 | 148 | 27 | 212 | 62 | 126 |
| B | 145 | 65 | 37 | 36 | 151 | 172 |
| | White | Neutral 8 | Neutral 6.5 | Neutral 5 | Neutral 3.5 | Black |
| R | 240 | 206 | 155 | 110 | 63 | 22 |
| G | 240 | 206 | 155 | 110 | 63 | 22 |
| B | 240 | 206 | 155 | 110 | 63 | 22 |

Product Specification

Dimension of viewing angle range.

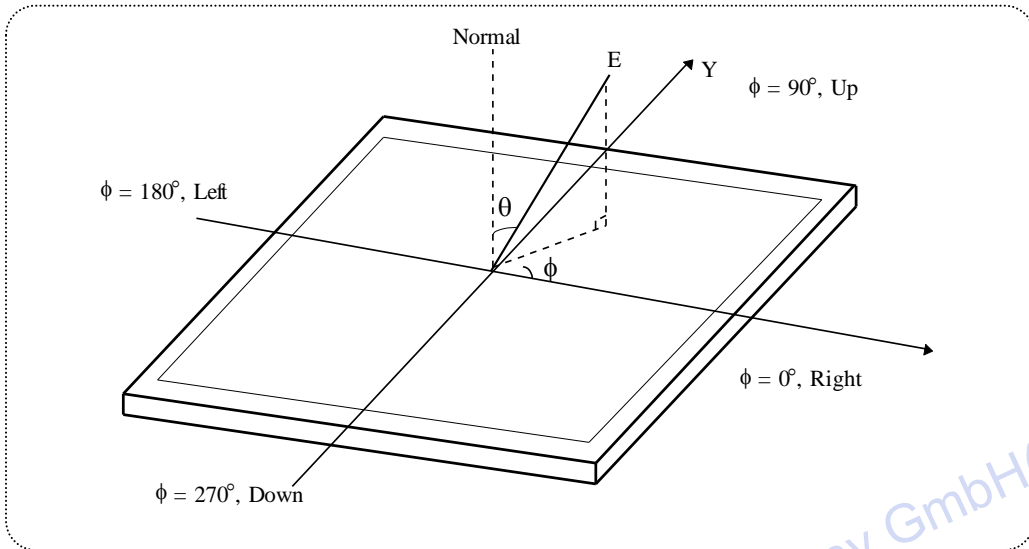


FIG.10 Viewing angle

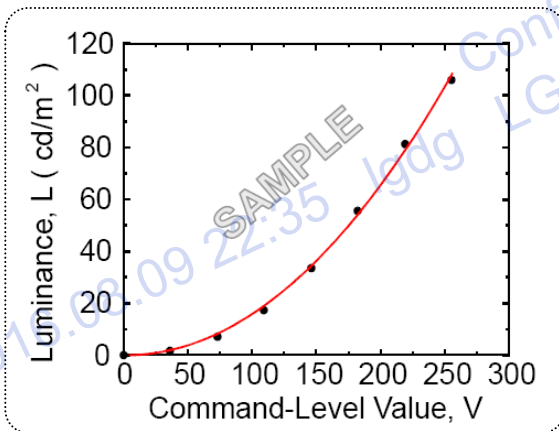


FIG.11 Sample Luminance vs. gray scale (using a 256 bit gray scale)

$$L = aV^r + L_b$$

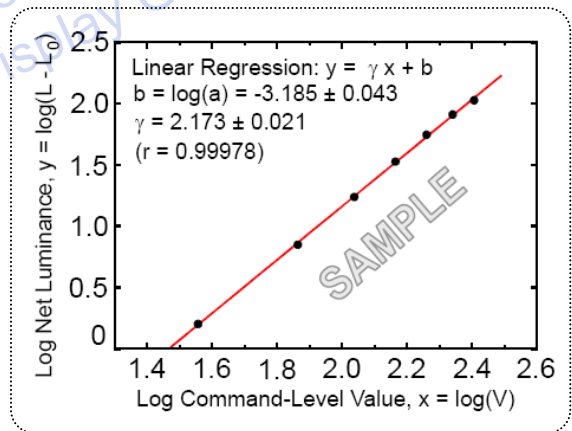


FIG.12 Sample Log-log plot of luminance vs. gray scale

$$\log(L - L_b) = r \log(V) + \log(a)$$

Here the Parameter a and γ relate the signal level V to the luminance L.
The GAMMA we calculate from the log-log representation (FIG.11)

Product Specification

Table 11. Gray Scale Specification

| Gray Level | Relative Luminance [%] (Typ.) |
|------------|-------------------------------|
| 0 | 0.11 |
| 31 | 1.08 |
| 63 | 4.72 |
| 95 | 11.49 |
| 127 | 21.66 |
| 159 | 35.45 |
| 191 | 53.00 |
| 223 | 74.48 |
| 255 | 100 |

2016.08.09 22:35 Igdg LG Display Germany GmbH(Igdg)
Confidential

Product Specification

5. Mechanical Characteristics

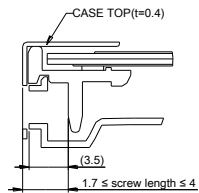
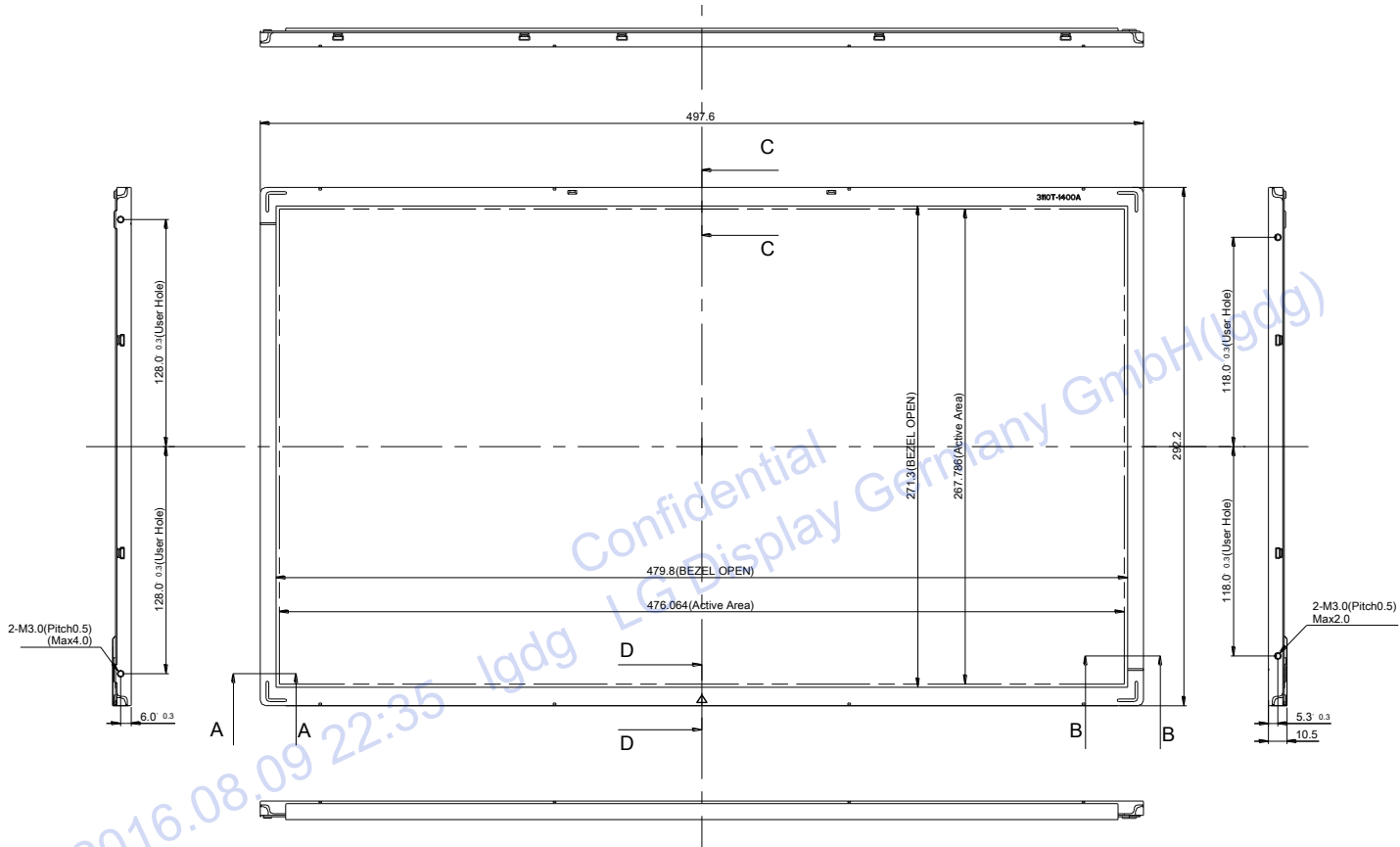
The contents provide general mechanical characteristics. In addition the figures in the next page are detailed mechanical drawing of the LCD.

| | | |
|---------------------|--|------------|
| Outline Dimension | Horizontal | 497.6mm |
| | Vertical | 292.2mm |
| | Depth | 10.5 mm |
| Bezel Area | Horizontal | 479.8mm |
| | Vertical | 271.3mm |
| Active Display Area | Horizontal | 476.064 mm |
| | Vertical | 267.786 mm |
| Weight | 1685 g(Typ.), 1770 g(Max.) | |
| Surface Treatment | Anti-glare treatment of the front polarizer (Haze 25%, 3H) | |

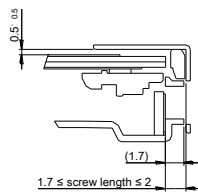
Notes : Please refer to a mechanic drawing in terms of tolerance at the next page.

Product Specification

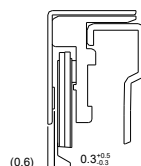
<FRONT VIEW>



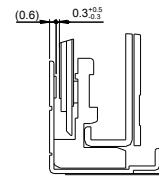
SECTION A-A
SCALE 3/1



SECTION B-B
SCALE 3/1



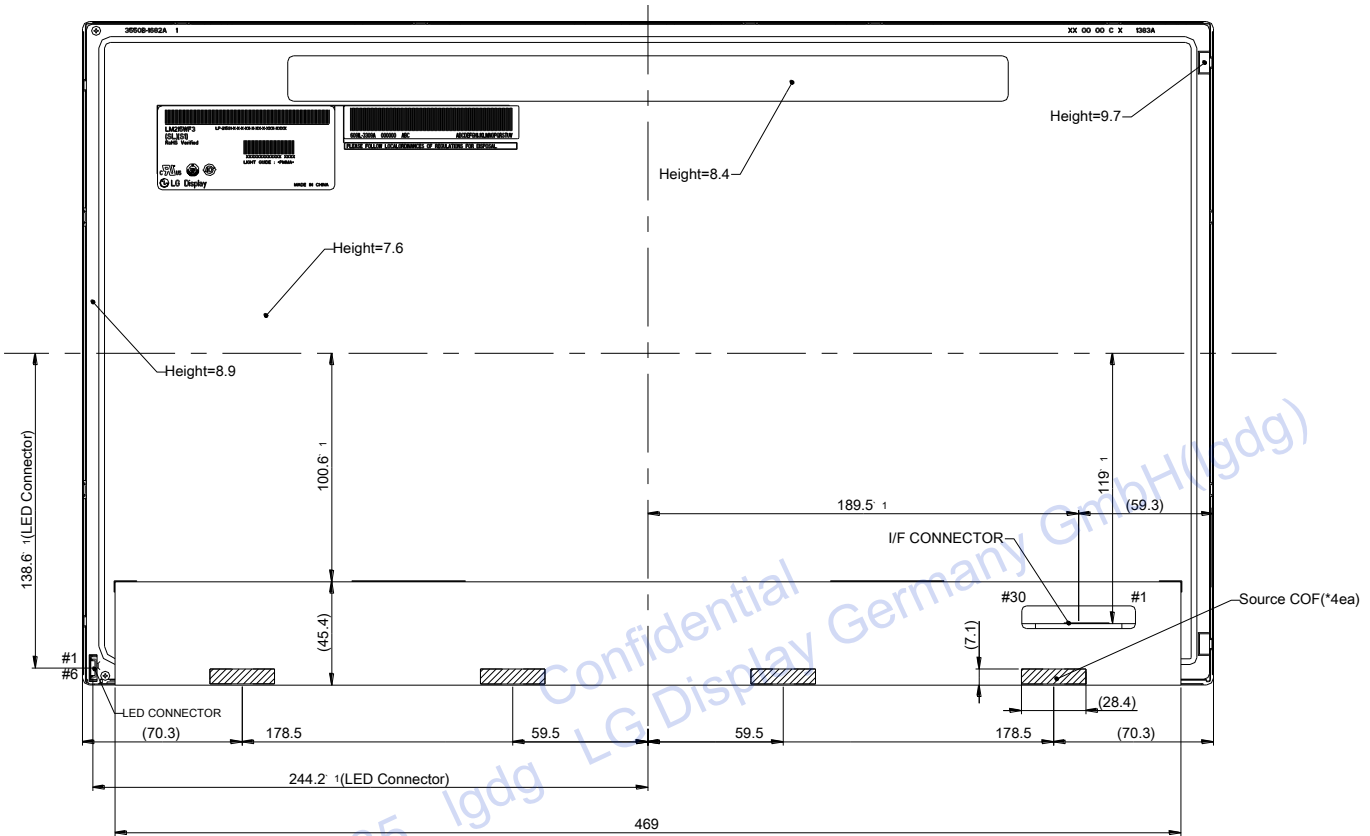
SECTION C-C
SCALE 3/1



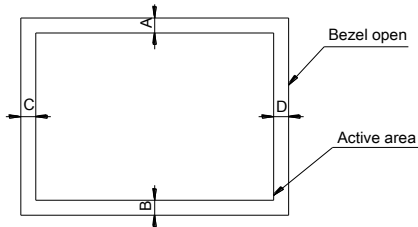
SECTION D-D
SCALE 3/1

Product Specification

<REAR VIEW>



1. Backlight has LED Ass'y
2. I/F connector specification : IS100-L300-C23(UJU)
3. LED connector specification : 10035WR-H06D(HF)
4. Torque of user hole : 3.0~4.0kgf-cm
5. Tilt and partial disposition tolerance of display area as following
 - (1) Y-Direction : | A-B | ≤ 1.0
 - (2) X-Direction : | C-D | ≤ 1.0



6. Unspecified tolerance to be ± 0.5mm
7. The COF area is weak & sensitive, so please don't press the COF area.

LGD Highly recommendation :

As The IPS panel is sensitive & slim, please recommend the metal frame of the system supports the panel by the double side-mount.

Product Specification
6. Reliability

Environment test condition

| No | Test Item | Condition | Notes |
|----|--|--|-------|
| 1 | High temperature storage test | Ta= 60°C 240h | 1 |
| 2 | Low temperature storage test | Ta= -20°C 240h | 1 |
| 3 | High temperature operation test | Ta= 50°C 50%RH 240h | 1 |
| 4 | Low temperature operation test | Ta= 0°C 240h | 1 |
| 5 | Vibration test (non-operating) | Wave form : random Vibration level : 1.00G RMS Bandwidth : 10-300Hz Duration : X, Y, Z, 10 min One time each direction | |
| 6 | Shock test (non-operating) | Shock level : 100G Waveform : half sine wave, 2ms Direction : ± X, ± Y, ± Z One time each direction | |
| 7 | Humidity condition Operation | Ta= 40 °C ,90%RH | |
| 8 | Altitude operating storage / shipment | 0 - 10,000 feet(3,048m) 0 - 40,000 feet(12,192m) | |
| 9 | Maximum Storage Humidity for 4 corner light leakage Mura. | Max 70%RH , Ta=40°C | |

Note 1. Result Evaluation Criteria:

TFT-LCD panels test should take place after cooling enough at room temperature.

In the standard condition, there should be no particular problems that may affect the display function.

※. Ta= Ambient Temperature

Product Specification**7. International Standards****7-1. Safety**

- a) UL 60950-1, Underwriters Laboratories Inc.
Information Technology Equipment - Safety - Part 1 : General Requirements.
- b) CAN/CSA-C22.2 No. 60950-1-07, Canadian Standards Association.
Information Technology Equipment - Safety - Part 1 : General Requirements.
- c) EN 60950-1, European Committee for Electrotechnical Standardization (CENELEC).
Information Technology Equipment - Safety - Part 1 : General Requirements.
- d) IEC 60950-1, The International Electrotechnical Commission (IEC).
Information Technology Equipment - Safety - Part 1 : General Requirements

7-2. Environment

- a) RoHS, Directive 2011/65/EU of the European Parliament and of the council of 8 June 2011

2016.08.09 22:35 Igdg LG Display Germany GmbH(Igdg) Confidential

Product Specification

8. Packing

8-1. Designation of Lot Mark

a) Lot Mark

| | | | | | | | | | | | | |
|---|---|---|---|---|---|---|---|---|---|---|---|---|
| A | B | C | D | E | F | G | H | I | J | K | L | M |
|---|---|---|---|---|---|---|---|---|---|---|---|---|

A,B,C : SIZE(INCH)
E : MONTH

D : YEAR
F ~ M : SERIAL NO.

Note

1. YEAR

| | | | | | | | | | | |
|------|------|------|------|------|------|------|------|------|------|------|
| Year | 2011 | 2012 | 2013 | 2014 | 2015 | 2016 | 2017 | 2018 | 2019 | 2020 |
| Mark | A | B | C | D | E | F | G | H | J | K |

2. MONTH

| | | | | | | | | | | | | |
|-------|-----|-----|-----|-----|-----|-----|-----|-----|-----|-----|-----|-----|
| Month | Jan | Feb | Mar | Apr | May | Jun | Jul | Aug | Sep | Oct | Nov | Dec |
| Mark | 1 | 2 | 3 | 4 | 5 | 6 | 7 | 8 | 9 | A | B | C |

b) Location of Lot Mark

Serial No. is printed on the label. The label is attached to the backside of the LCD module.
This is subject to change without prior notice.

8-2. Packing Form

a) Package quantity in one box : 12pcs (2 Module is packed in 1 Al Bag)

b) Box Size : 365 X 315 X 570mm

Product Specification

9. PRECAUTIONS

Please pay attention to the followings when you use this TFT LCD module.

9-1. MOUNTING PRECAUTIONS

- (1) You must mount a module using holes arranged in four corners or four sides.
- (2) You should consider the mounting structure so that uneven force (ex. Twisted stress) is not applied to the module. And the case on which a module is mounted should have sufficient strength so that external force is not transmitted directly to the module.
- (3) Please attach the surface transparent protective plate to the surface in order to protect the polarizer. Transparent protective plate should have sufficient strength in order to resist external force.
- (4) You should adopt radiation structure to satisfy the temperature specification.
- (5) Acetic acid type and chlorine type materials for the cover case are not desirable because the former generates corrosive gas of attacking the polarizer at high temperature and the latter causes circuit break by electro-chemical reaction.
- (6) Do not touch, push or rub the exposed polarizers with glass, tweezers or anything harder than HB pencil lead. And please do not rub with dust clothes with chemical treatment. Do not touch the surface of polarizer for bare hand or greasy cloth. (Some cosmetics are detrimental to the polarizer.)
- (7) When the surface becomes dusty, please wipe gently with absorbent cotton or other soft materials like chamois soaks with petroleum benzene. Normal-hexane is recommended for cleaning the adhesives used to attach front / rear polarizers. Do not use acetone, toluene and alcohol because they cause chemical damage to the polarizer.
- (8) Wipe off saliva or water drops as soon as possible. Their long time contact with polarizer causes deformations and color fading.
- (9) Do not open the case because inside circuits do not have sufficient strength.
- (10) As The IPS panel is sensitive & slim, please recommend the metal frame of the system supports the panel by the double side-mount.

Product Specification**9. PRECAUTIONS**

Please pay attention to the followings when you use this TFT LCD module.

9-2. OPERATING PRECAUTIONS

- (1) The spike noise causes the mis-operation of circuits. It should be lower than following voltage :
 $V = \pm 200\text{mV}$ (Over and under shoot voltage)
- (2) Response time depends on the temperature. (In lower temperature, it becomes longer.)
- (3) Brightness depends on the temperature. (In higher temperature, it becomes lower.)
And in lower temperature, response time (required time that brightness is stable after turned on) becomes longer.
- (4) Be careful for condensation at sudden temperature change. Condensation makes damage to polarizer or electrical contacted parts. And after fading condensation, smear or spot will occur.
- (5) When fixed patterns are displayed for a long time, remnant image is likely to occur.
- (6) Module has high frequency circuits. Sufficient suppression to the electromagnetic interference shall be done by system manufacturers. Grounding and shielding methods may be important to minimized the interference.
- (7) Please do not give any mechanical and/or acoustical impact to LCM. Otherwise, LCM can't be operated its full characteristics perfectly.
- (8) A screw which is fastened up the steels should be a machine screw.
(if not, it causes metallic foreign material and deal LCM a fatal blow)
- (9) Please do not set LCD on its edge.
- (10) When LCMs are used for public display defects such as Yogore, image sticking can not guarantee.
- (11) When this reverse model is used as a forward-type model (PCB on top side), LGD can not guarantee any defects of LCM.
- (12) LCMs cannot support "Interlaced Scan Method"
- (13) Please conduct image sticking test after 2-hour aging with Rolling PTN and normal temperature (25~40°C)

Product Specification**9-3. ELECTROSTATIC DISCHARGE CONTROL**

Since a module is composed of electronic circuits, it is not strong to electrostatic discharge. Make certain that treatment persons are connected to ground through wrist band etc. And don't touch interface pin directly.

9-4. PRECAUTIONS FOR STRONG LIGHT EXPOSURE

Strong light exposure causes degradation of polarizer and color filter.

9-5. STORAGE

When storing modules as spares for a long time, the following precautions are necessary.

- (1) Store them in a dark place. Do not expose the module to sunlight or fluorescent light. Keep the temperature between 5°C and 35°C at normal humidity.
- (2) The polarizer surface should not come in contact with any other object.
It is recommended that they be stored in the container in which they were shipped.

9-6. HANDLING PRECAUTIONS FOR PROTECTION FILM

- (1) The protection film is attached to the bezel with a small masking tape.
When the protection film is peeled off, static electricity is generated between the film and polarizer. This should be peeled off slowly and carefully by people who are electrically grounded and with well ion-blown equipment or in such a condition, etc.
- (2) When the module with protection film attached is stored for a long time, sometimes there remains a very small amount of glue still on the bezel after the protection film is peeled off.
- (3) You can remove the glue easily. When the glue remains on the bezel surface or its vestige is recognized, please wipe them off with absorbent cotton waste or other soft material like chamois soaked with normal-hexane.